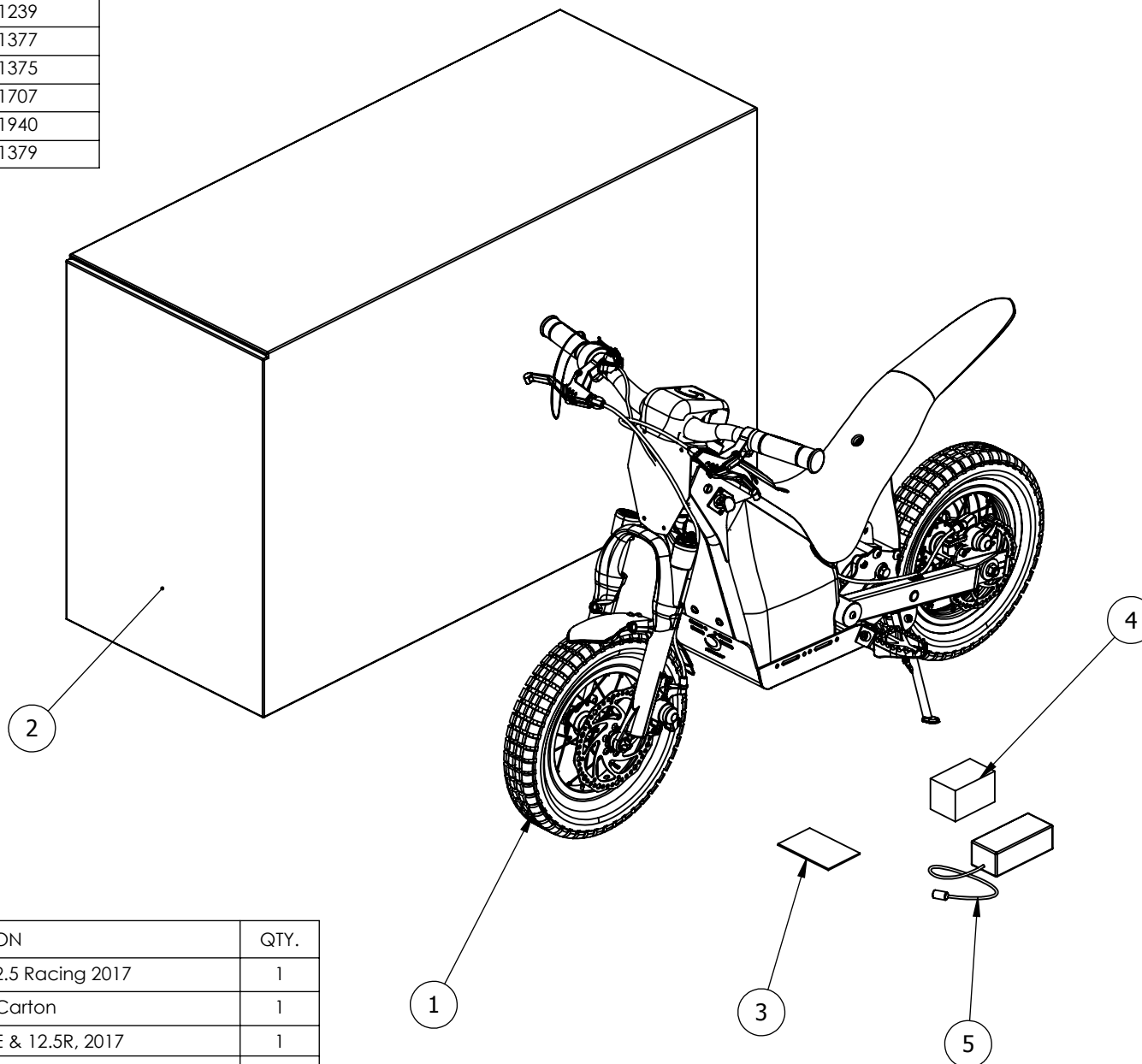


# OSET 12.5" Racing 24V 600W 2017



Part Number: See Table    Version: 1.0

Description	Bike P/N	Charger P/N
12.5 Racing UK	SPD012173-UK	ELE021239
12.5 Racing Europe	SPD012173-EU	ELE021377
12.5 Racing USA	SPD012173-US	ELE021375
12.5 Racing Australia	SPD012173-AU	ELE021707
12.5 Racing Japan	SPD012173-JP	ELE021940
12.5 Racing South Africa	SPD012173-SA	ELE021379

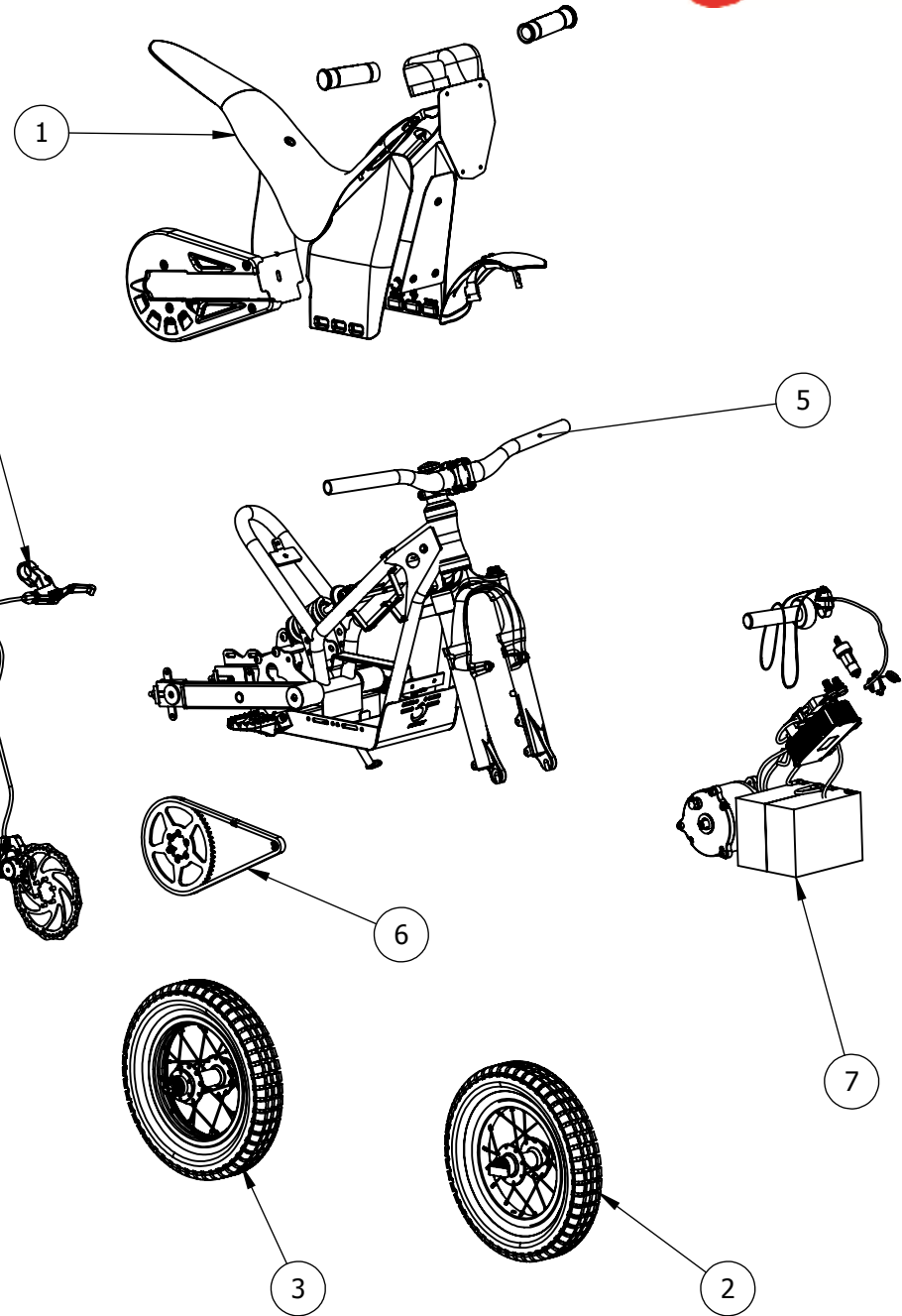


ITEM NO.	PartNo	DESCRIPTION	QTY.
1	BIK012180	Bike assembly - OSET 12.5 Racing 2017	1
2	PAC011237	12.5 Shipping Carton	1
3	INS012455	Bike instructions - 12.5E & 12.5R, 2017	1
4	MIS021861	Tools - bike assembly tools	1
5	See Table	Charger - 24V, 2A, lead acid with power lead	1

# OSET 12.5" Racing 24V 600W 2017

Part Number: BIK012180

Version: 1.0

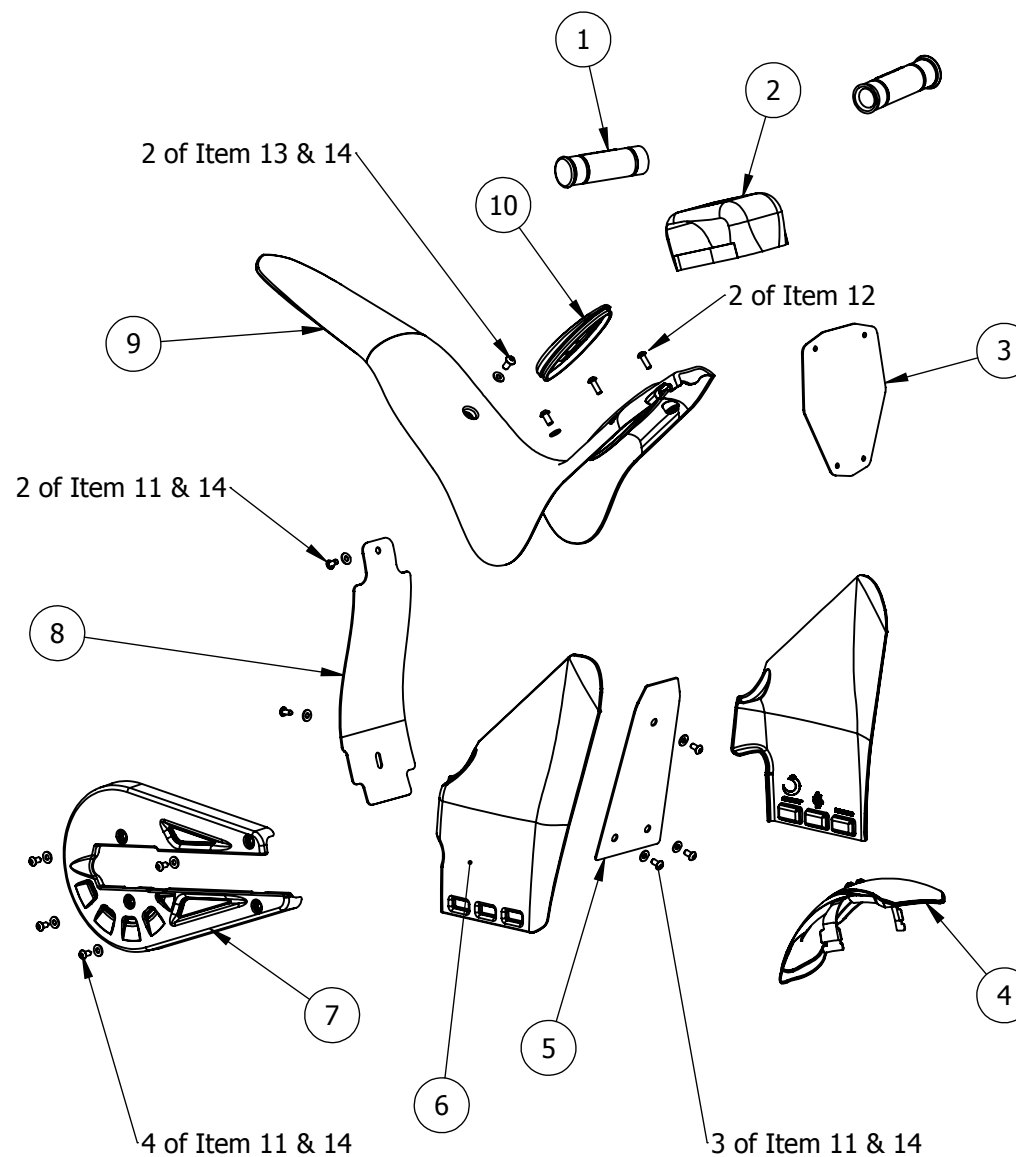
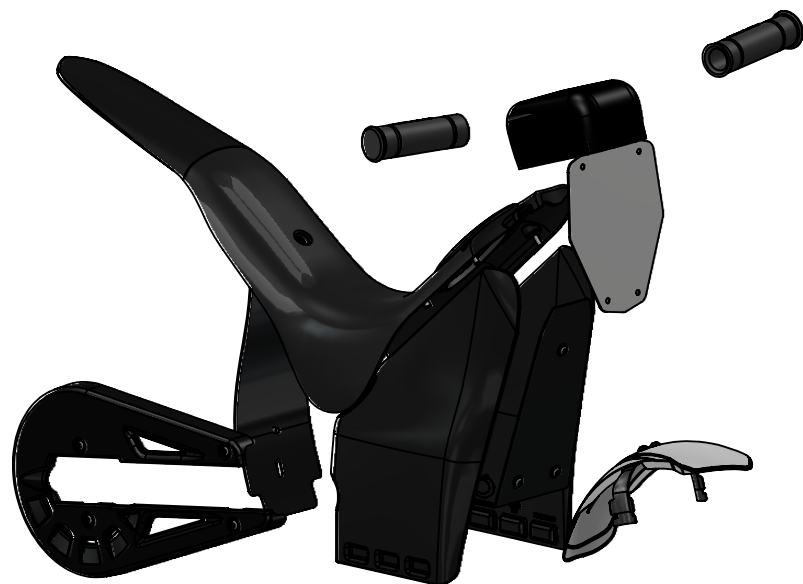


ITEM NO.	PartNo	DESCRIPTION	QTY.
1	PLA002470	Plastic assembly - 12.5R, plastic set	1
2	WHE031229	Wheel set - 12", front, qr disc hub, inc. tyre	1
3	WHE031249	Wheel set - 12", rear, disc hub, inc. tyre	1
4	BRK051284	Mechanical disc brake assembly - 12.5R	1
5	CHS001337	Chassis assembly - 12.5R	1
6	DRV061373	Chain & sprocket kit - 12.5R, 9-62t, #219	1
7	ELE002462	Full electrical assembly - 12.5R	1
8	STI012187	Sticker set - 12.5R, 2017	1

# Plastic assembly - 12.5R, plastic set

Part Number: PLA002470

Version: 1.0

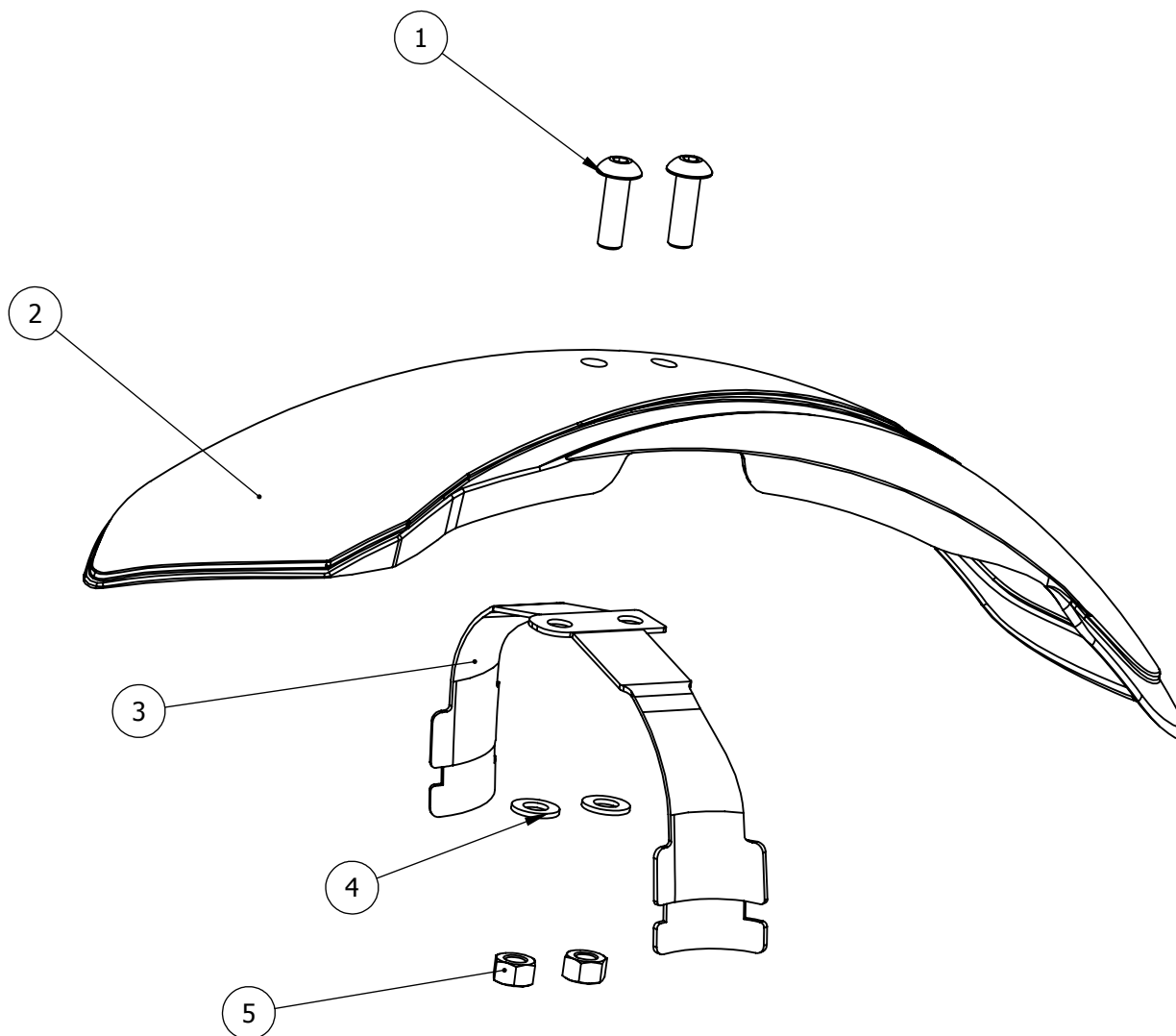
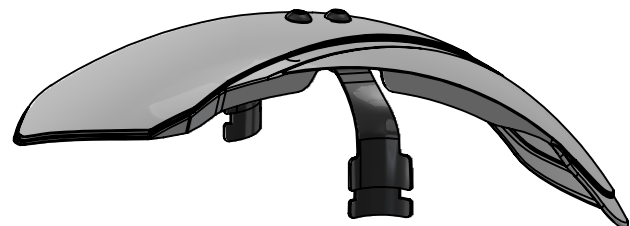


ITEM NO.	PartNo	DESCRIPTION	QTY.
1	PLA112114	Grips - OSET branded, pair, thin, grey	1
2	PLA122208	Chin guard - OSET logo, nylon, black	1
3	PLA031222	Number board - flat, white	1
4	PLA021262	Front mudguard kit - 12.5R	1
5	PLA061215	Splash guard - front, black	1
6	PLA051385	Infill panels - pair, H-300mm, moulded, black	1
7	PLA081221	Chain guard - L-330mm, moulded, black	1
8	PLA061216	Splash guard - rear, black	1
9	PLA041218	Seat unit - L-640mm, moulded, black	1
10	PLA071273	Tank bung - oval, rubber, moulded, black	1
11	FIX011274	Bolt - M5 x 10mm, button head, hex socket	9
12	FIX011277	Bolt - M5 x 16mm, button head, hex socket	2
13	FIX011275	Bolt - M6 x 12mm, button head, hex socket	2
14	FIX031411	Washer - M5 x 12mm, plain	11

# Front mudguard kit - 12.5R

Part Number: PLA021262

Version: 2.0

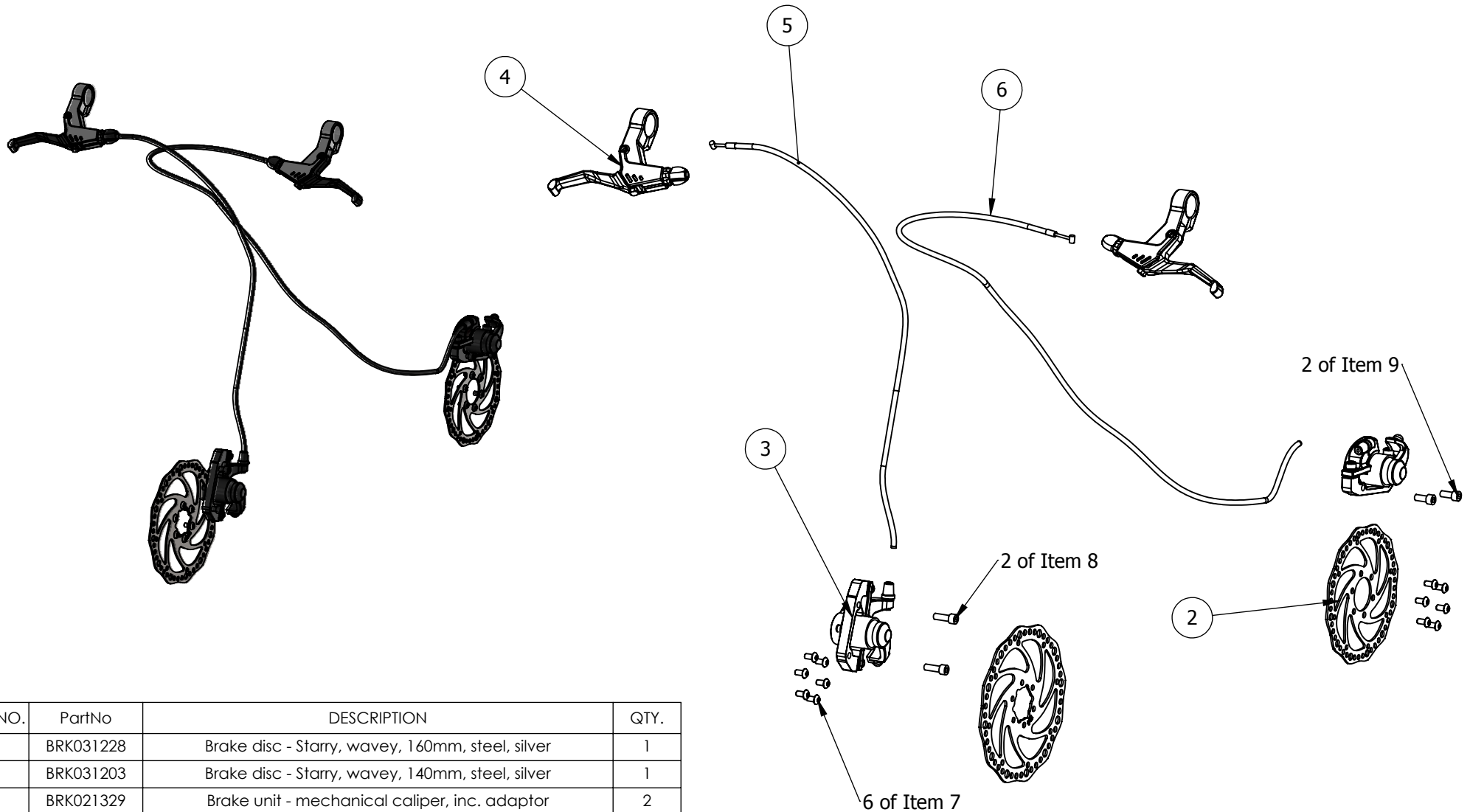


ITEM NO.	PartNo	DESCRIPTION	QTY.
1	FIX011277	Bolt - M5 x 16mm, button head, hex socket	2
2	PLA021217	Mudguard - front, L-259mm, moulded, white	1
3	CHS091223	Bracket - front mudguard, n shape, steel, black	1
4	FIX031320	Washer - M5 x 10mm, plain	2
5	FIX021405	Nut - M5, hex	2

# Mechanical disc brake assembly - 12.5R

Part Number: BRK051284

Version: 4.0



ITEM NO.	PartNo	DESCRIPTION	QTY.
1	BRK031228	Brake disc - Starry, wavy, 160mm, steel, silver	1
2	BRK031203	Brake disc - Starry, wavy, 140mm, steel, silver	1
3	BRK021329	Brake unit - mechanical caliper, inc. adaptor	2
4	BRK041445	Brake lever - assembly, pair, mechanical, alu, black & white	1
5	BRK011293	Brake cable - outer & inner, alu, black	1
6	BRK011294	Brake cable - outer & inner, alu, black	1
7	FIX012111	Bolt - M5 x 10mm, button head, torx socket	12
8	FIX012504	Bolt - M6 x 18mm, cap head, hex socket	2
9	FIX012503	Bolt - M6 x 14mm, cap head, hex socket	2

Date: 05/07/2016

Document Ref: 1284

Issue No: 1

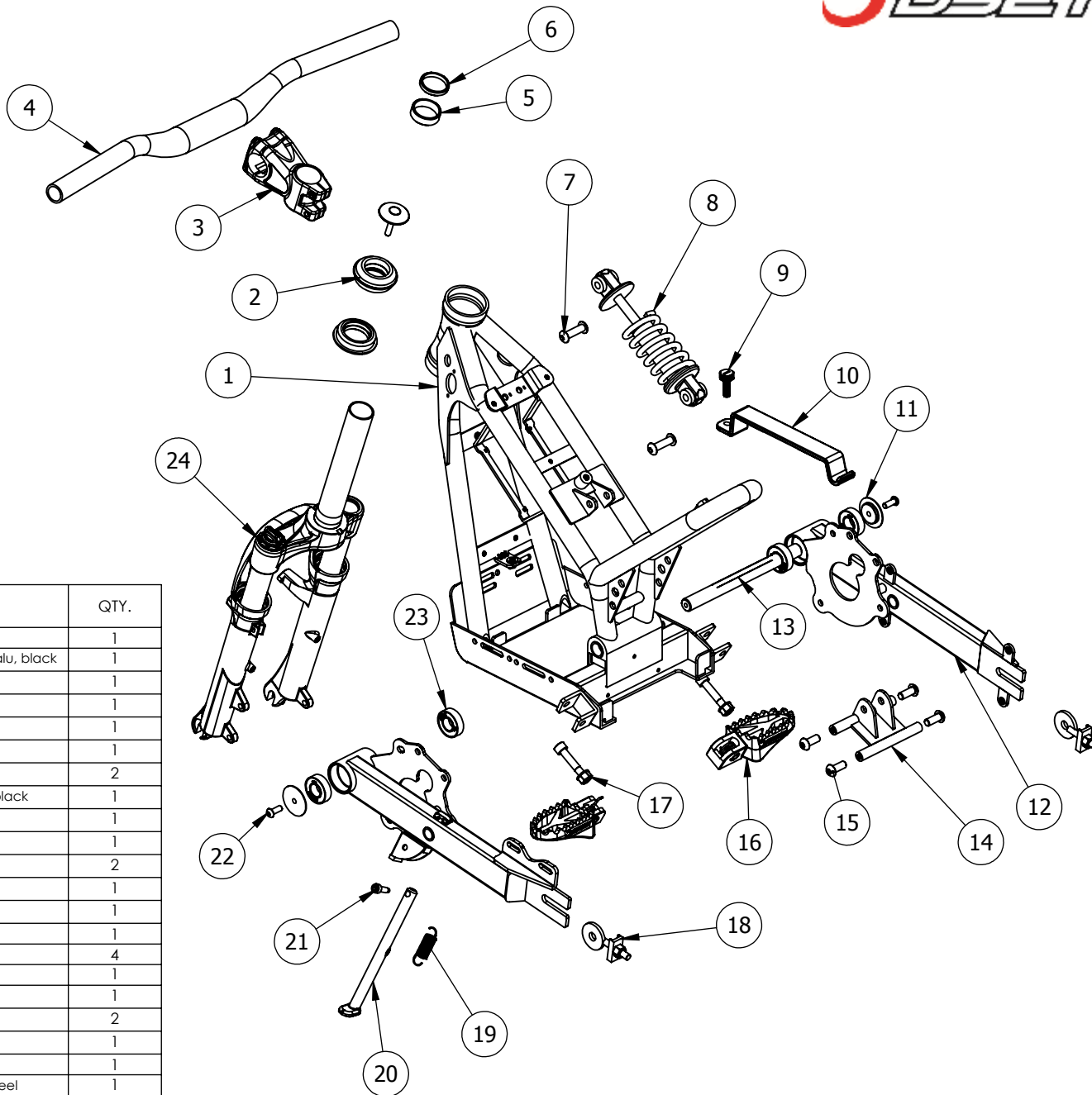
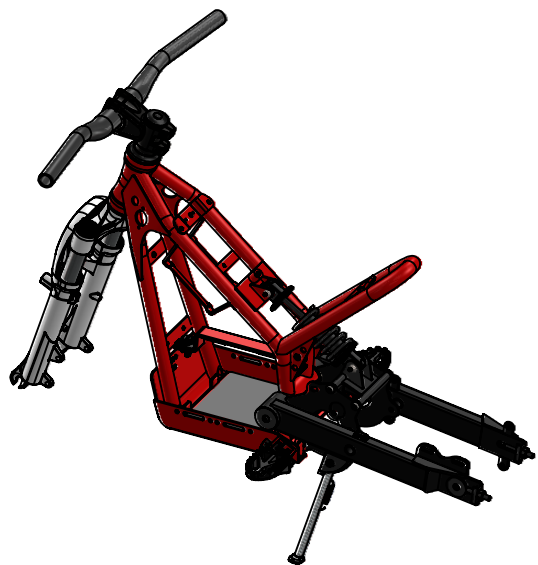
© 2016 OSET Bikes

Available Separately	
Part No	Description
BRK061721	Brake pads - mechanical disc brake, pair, 1 prong with hole

# Chassis assembly - 12.5R

Part Number: CHS002472

Version: 1.0

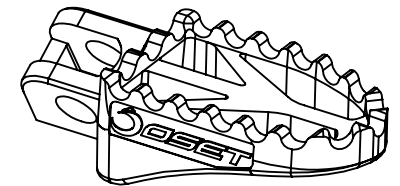
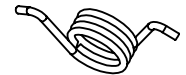
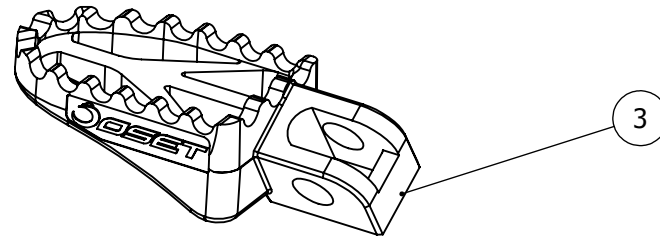
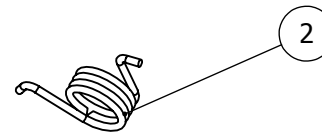
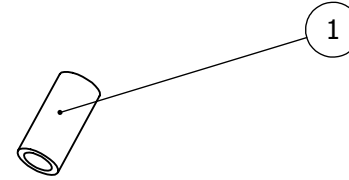


ITEM NO.	PartNo	DESCRIPTION	QTY.
1	CHS071242	Frame - 12.5R, front, steel, red	1
2	CHS121265	Headset - sealed pressed bearings inc. internal cups, 1-1-8", steel & alu, black	1
3	CHS061313	Stem - forged alloy, black	1
4	CHS051431	Handlebar - low rise, alloy, black	1
5	CHS121259	Headset - stem spacer, a-head, 10mm, alu, black	1
6	CHS121260	Headset - stem spacer, a-head, 5mm, alu, black	1
7	FIX011392	Bolt - rear shock, M6, od-8, L-29 (assembly)	2
8	CHS031267	Rear shock - DV-22, 250lb, L-165mm, non-adjustable damping, black	1
9	FIX012004	Bolt - M6 x 22mm with plastic cover	1
10	CHS091270	Bracket - battery strap, 24V, steel, red PU coating	1
11	CHS081716	Swing arm cover - 1 bearing cover, steel, black	2
12	CHS081407	Swing arm - 12.5R, pair, steel, black	1
13	CHS081741	Swing arm axle - 15mm, steel, silver	1
14	CHS091245	Bracket - 12.5, rear shock lower brace, steel, black	1
15	FIX011393	Bolt - M8 x 20mm, button head, hex socket	4
16	CHS012193	Footpeg kit - springs, bushes and cast footpegs, black	1
17	FIX011892	Bolt kit - M8 x 45mm, cap head, washer & locknut (2 sets)	1
18	CHS111298	Chain adjuster - 1 piece, 9mm, steel, black	2
19	CHS101314	Side stand - spring, steel, silver	1
20	CHS101256	Side stand - steel, silver	1
21	FIX011370	Bolt - M6 x 23mm, 12mm plain shank, cap head, hex socket, steel	1
22	FIX011830	Bolt - M6 x 16mm, button head, hex socket	2
23	FIX051834	Bearing - 15x32x9mm, 6002rs, rubber shielded	4
24	CHS021312	Forks - coil spring, pre-load adjustment, DNM DO-20, L-335mm, alloy, white	1

# Footpeg kit - springs, bushes and cast footpegs, black



Part Number: CHS012193 | Version: 1.0

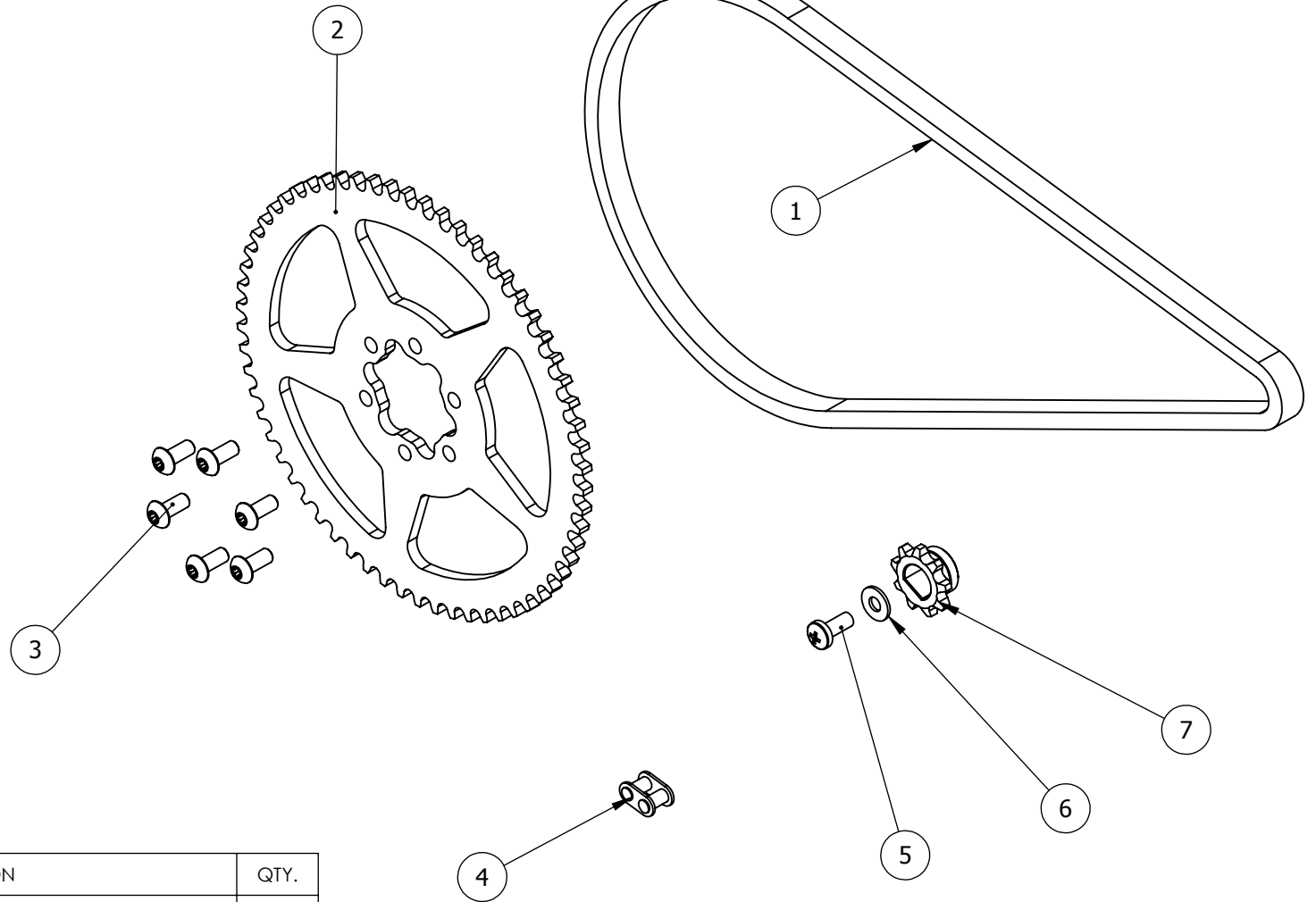
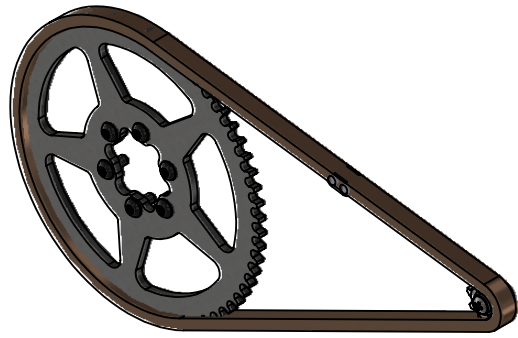


ITEM NO.	PartNo	DESCRIPTION	QTY
1	CHS011755	Footpeg bush - 1 piece, steel, black	2
2	CHS011433	Footpeg spring - 1 piece, steel, silver	2
3	CHS011756	Footpegs - pair, cast alu, black	1

# Chain & sprocket kit - 12.5R, 9-62t, #219

Part Number: DRV061373

Version: 3.0



ITEM NO.	PartNo	DESCRIPTION	QTY.
1	DRV011372	Chain - #219, 12mm	1
2	DRV031253	Rear sprocket - 62t, #219, steel, black	1
3	FIX012112	Bolt - M5 x 12mm, button head, torx socket	6
4	DRV021725	Masterlink - #219 chain, 3pcs	1
5	FIX011831	Bolt - M5 x 12mm, round head, phillips	1
6	FIX031411	Washer - M5 x 12mm, plain	1
7	DRV041371	Front sprocket - 9t, #219, 12mm d-shaft, steel	1

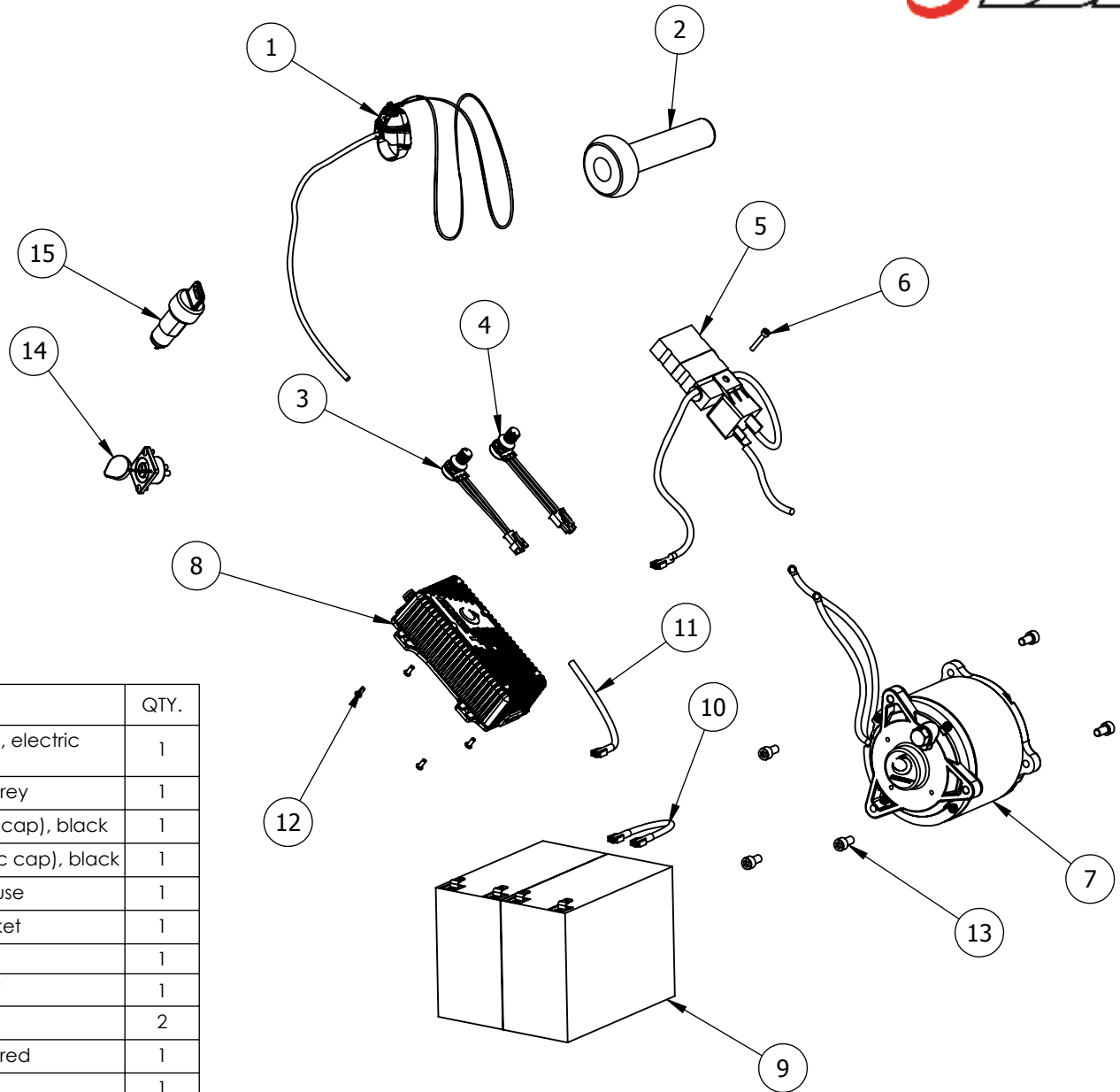
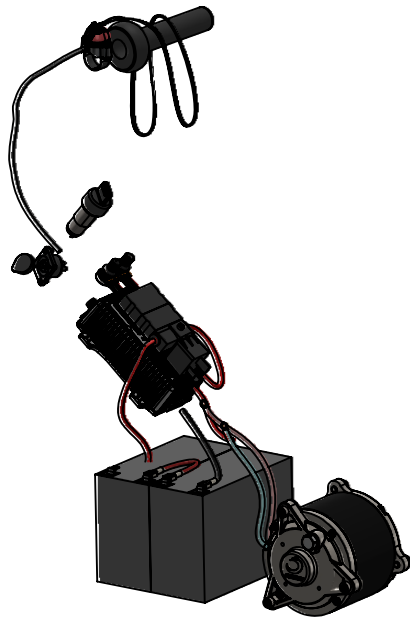
Available Separately	
Part No	Description
DRV041493	Front sprocket - 10T #219, 12mm d-shaft



# Full electrical assembly - 12.5R

Part Number: ELE002462

Version: 1.0

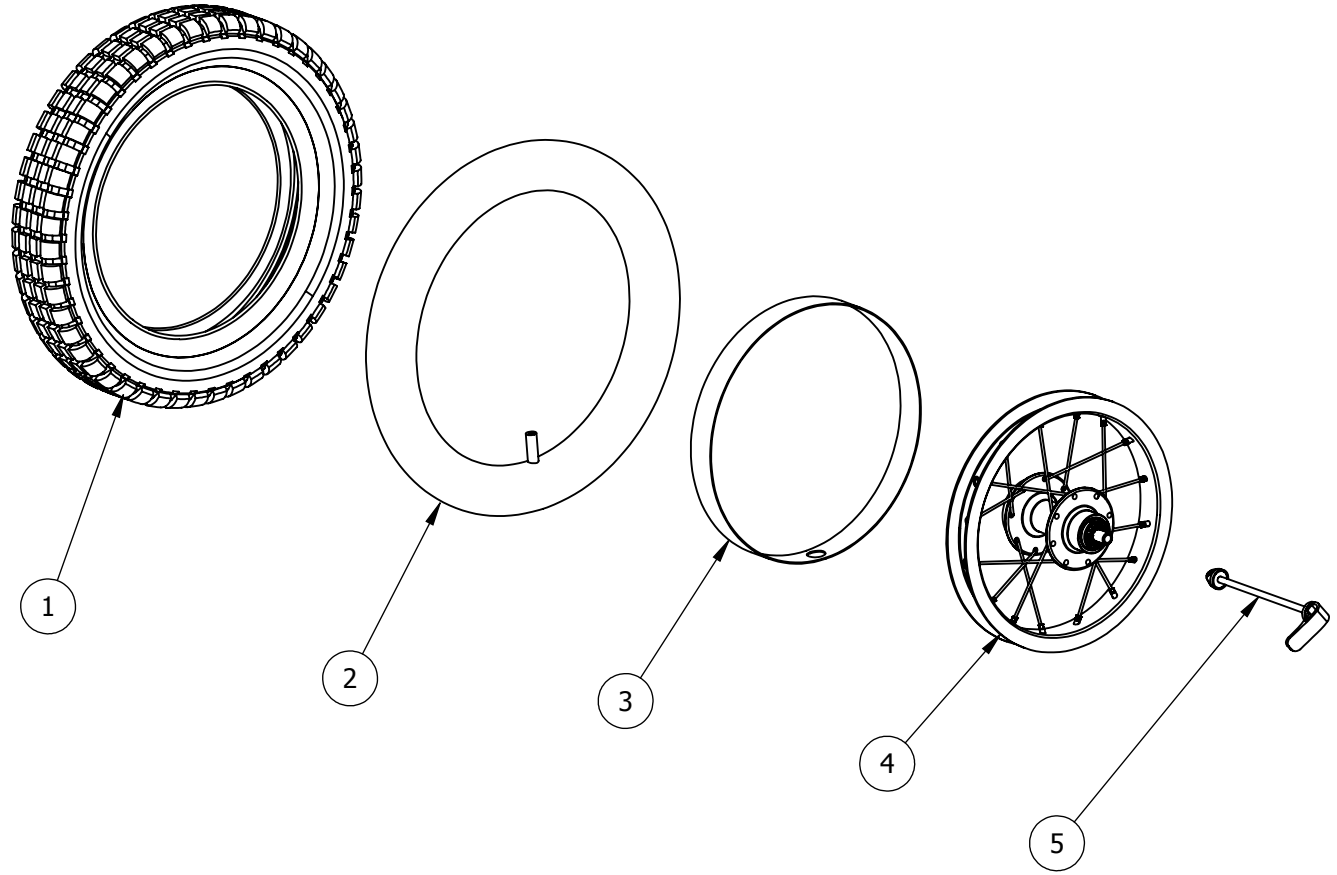


ITEM NO.	PartNo	DESCRIPTION	QTY.
1	ELE061311	Handlebar switch - OSET magnetic kill switch, electric vehicles, black	1
2	ELE111288	Throttle - 24V, OSET grips, mk.3, red & grey	1
3	ELE081368	Potentiometer - speed dial, 20k pot & plug (inc cap), black	1
4	ELE081323	Potentiometer - response dial, 20k pot & plug (inc cap), black	1
5	ELE101327	Wiring harness - positive, 24V relay & fuse	1
6	FIX011829	Bolt - M4 x 20mm, cap head, hex socket	1
7	MTR011254	Brushed motor - OSET 24V, 600W	1
8	ELE041819	Controller - 24V, 50A, 2 dial, 2016-17	1
9	BAT011250	Battery - lead acid, 12V 10Ah	2
10	ELE101390	Wiring harness - battery link wire, short, red	1
11	ELE101339	Wiring harness - negative, 12.5	1
12	FIX011295	Bolt - M3 x 8mm, button head, hex socket	4
13	FIX011936	Bolt - M6 x 12mm, cap head, hex socket	6
14	ELE011272	Charge port - female, 3pin, bayonet fitting, black	1
15	ELE071283	Key switch - water proof with black keys	1

Available Separately	
Part No	Description
ELE091735	Relay 24v 60a
MTR011889	Brush set for SM brush motor, L-240mm

# Wheel set - 12", front, qr disc hub, inc. tyre

Part Number: WHE031229 | Version: 2.0

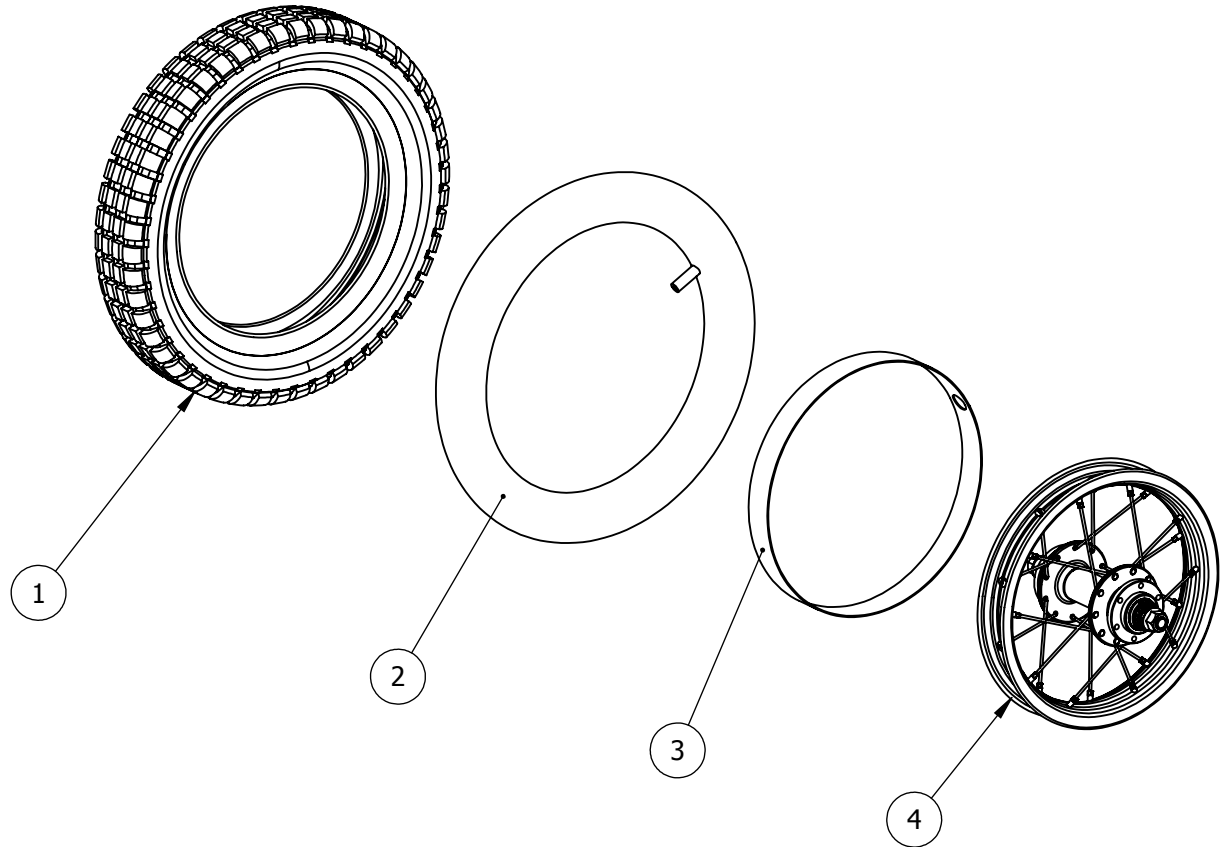


ITEM NO.	PartNo	DESCRIPTION	QTY.
1	TYR011225	Tyre - 12" x 2.4"	1
2	TYR021227	Tube - 12" x 2.5"	1
3	TYR031241	Rim tape - 12" x 25mm, rubber	1
4	WHE041226	Wheel - 12", front, 16h, quick release disc hub	1
5	WHE011747	Axle - quick release lever & spindle, red	1

Available Separately	
Part No	Description
STI032322	Rim stickers - 12.5R, 2017, 2 wheels

# Wheel set - 12", rear, disc hub, inc. tyre

Part Number: WHE032006 | Version: 1.0



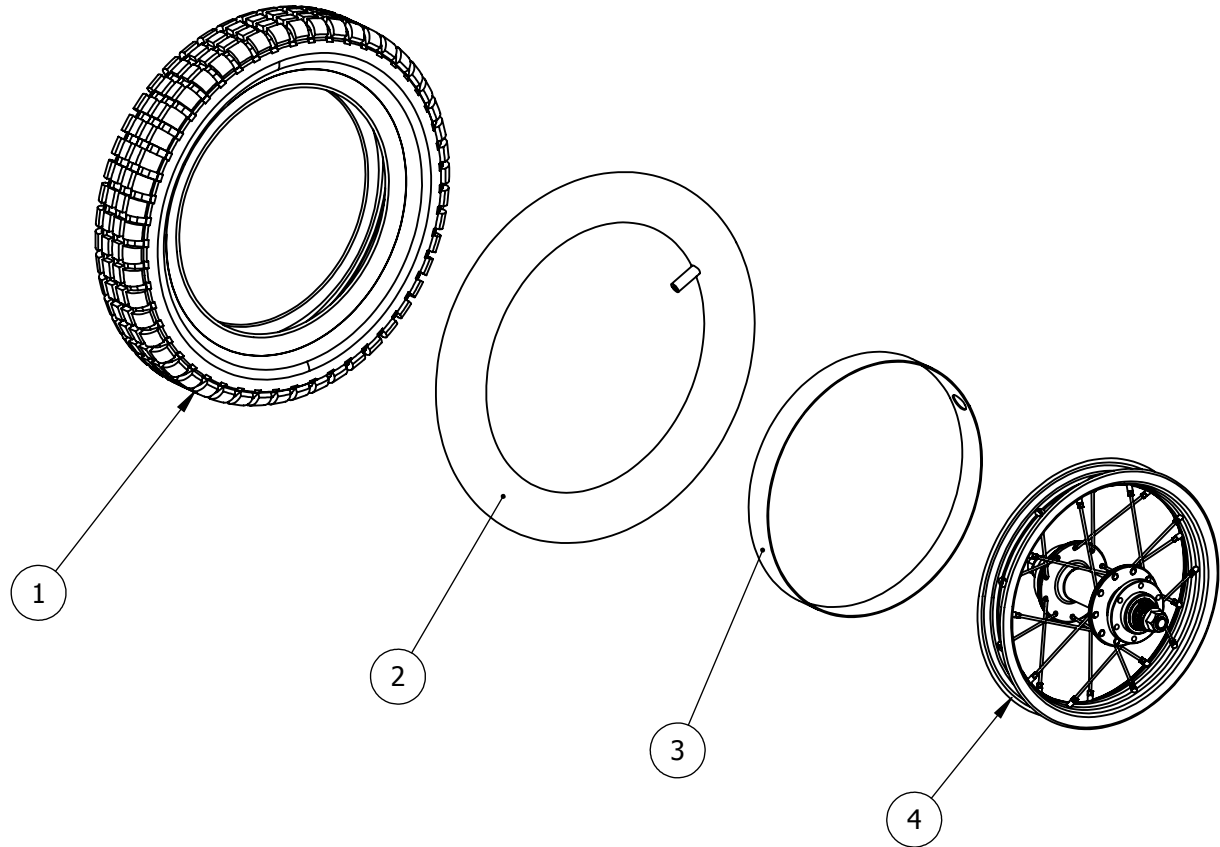
ITEM NO.	PartNo	DESCRIPTION	QTY.
1	TYR011225	Tyre - 12" x 2.4"	1
2	TYR021227	Tube - 12" x 2.5"	1
3	TYR031241	Rim tape - 12" x 25mm, rubber	1
4	WHE042008	Wheel - 12", rear, 20h, disc hub	1

Date: 21/04/2016 | Document Ref: 2006 | Issue No: 2 | © 2016 OSET Bikes

Available Separately	
Part No	Description
STI032322	Rim stickers - 12.5R, 2017, 2 wheels

# Wheel set - 12", rear, disc hub, inc. tyre

Part Number: WHE032006 | Version: 1.0



ITEM NO.	PartNo	DESCRIPTION	QTY.
1	TYR011225	Tyre - 12" x 2.4"	1
2	TYR021227	Tube - 12" x 2.5"	1
3	TYR031241	Rim tape - 12" x 25mm, rubber	1
4	WHE042008	Wheel - 12", rear, 20h, disc hub	1

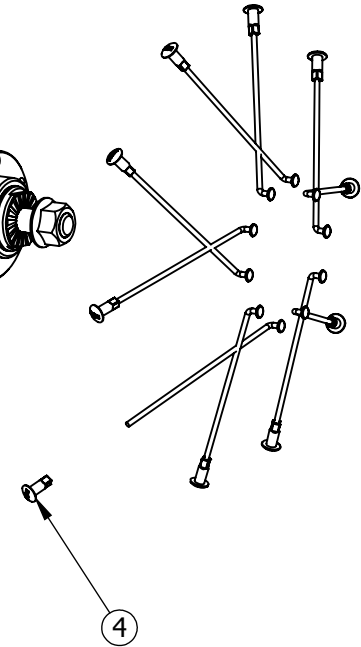
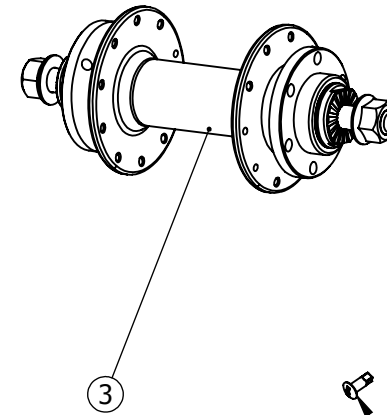
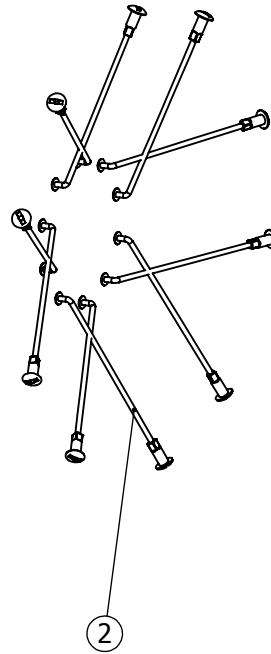
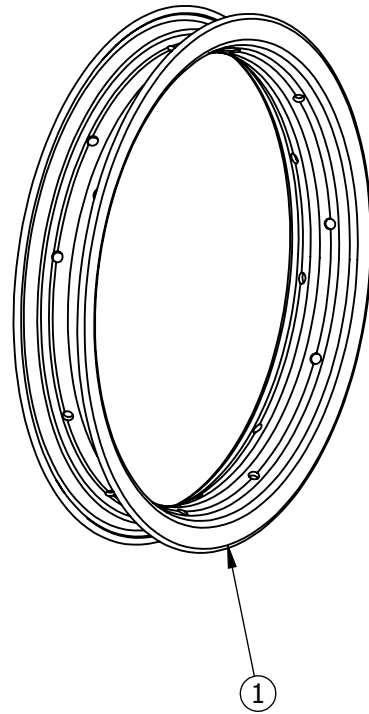
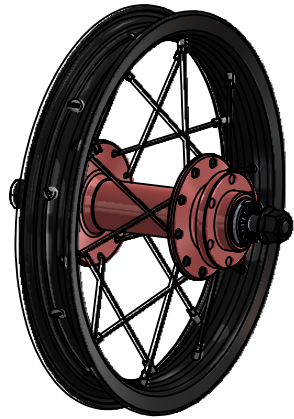
Date: 21/04/2016 | Document Ref: 2006 | Issue No: 2 | © 2016 OSET Bikes

Available Separately	
Part No	Description
STI032322	Rim stickers - 12.5R, 2017, 2 wheels

# Wheel - 12", rear, 20h, disc hub

Part Number: WHE042008

Version: 1.0



ITEM NO.	PartNo	DESCRIPTION	QTY.
1	WHE052007	Rim - 12" x 2.125", 20h, black	1
2	WHE082407	Wheel spoke - 14G x 76mm, black	20
3	WHE022005	Hub - rear, disc, 20h, L-129mm, alu, red	1
4	WHE082445	Wheel spoke nipple - 14G x 12mm, silver	20

Available Separately	
Part No	Description
FIX051738	Bearing - 10x26x8mm, 6002rs, rubber shielded

Date: 29/06/2016

Document Ref: 2008

© 2016 OSET Bikes