

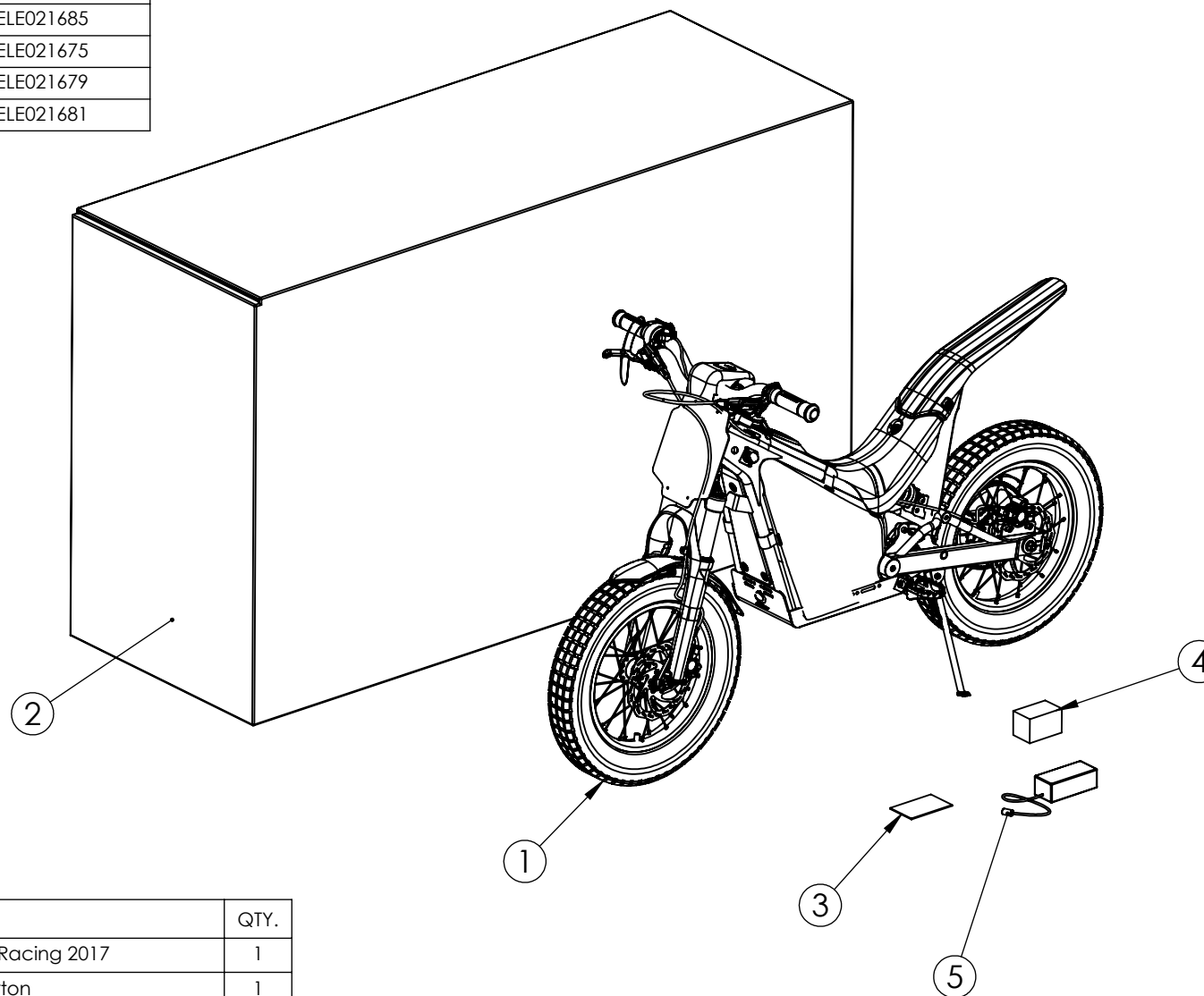
OSET 16.0" Racing 36V 800W 2017



Part Number: See Table

Version: 1.0

Description	Bike P/N	Charger P/N
16.0 Racing UK	SPD022175-UK	ELE021683
16.0 Racing Europe	SPD022175-EU	ELE021677
16.0 Racing USA	SPD022175-US	ELE021685
16.0 Racing Australia	SPD022175-AU	ELE021675
16.0 Racing Japan	SPD022175-JP	ELE021679
16.0 Racing South Africa	SPD022175-SA	ELE021681

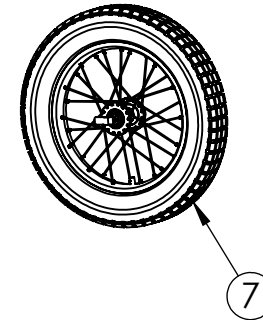
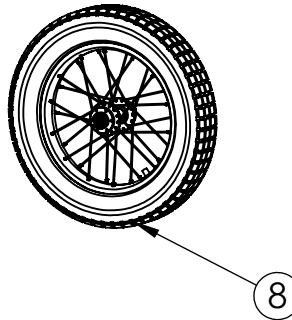
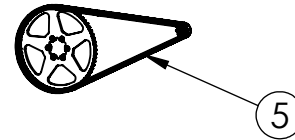
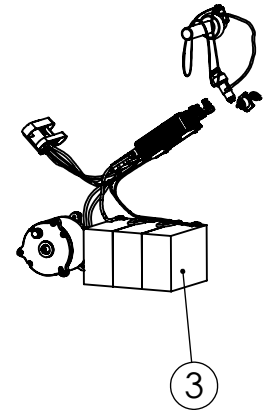
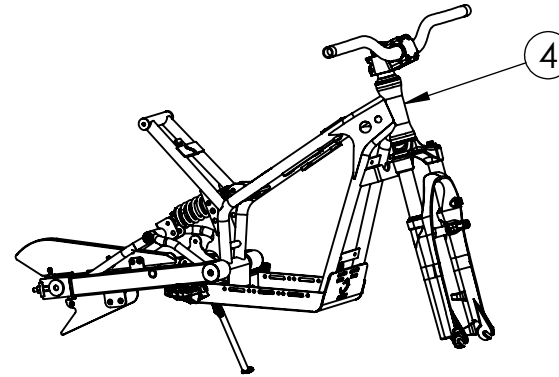
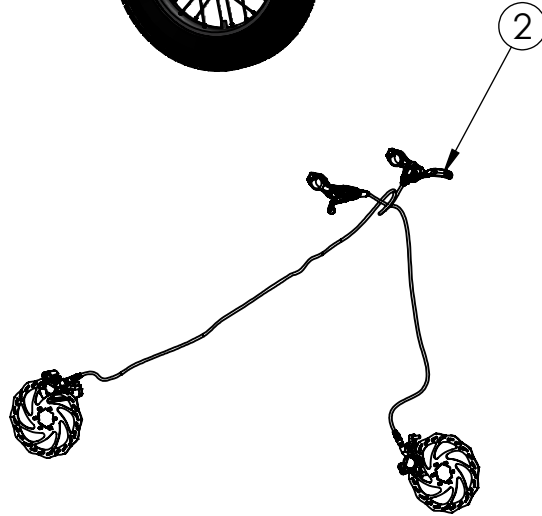
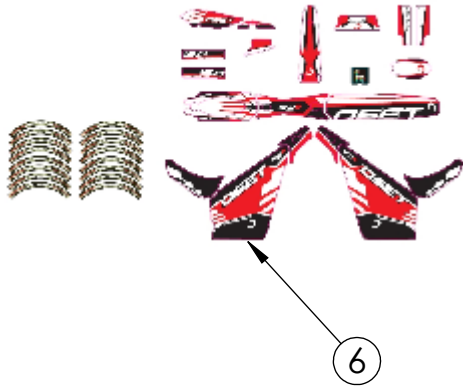
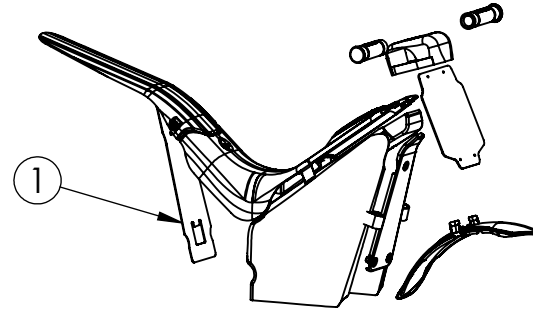


ITEM NO.	PartNo	DESCRIPTION	QTY.
1	BIK012182	Bike assembly - OSET 16.0 Racing 2017	1
2	PAC011865	16.0 Shipping Carton	1
3	INS012456	Bike Instructions - 16.0E, 16.0R & 20.0L, 2017	1
4	MIS021861	Tools - bike assembly tools	1
5	See Table	Charger - 36V, 3A, lead acid with power lead	1

OSET 16.0" Racing 36V 800W 2017

Part Number: BIK012182

Version: 1.0

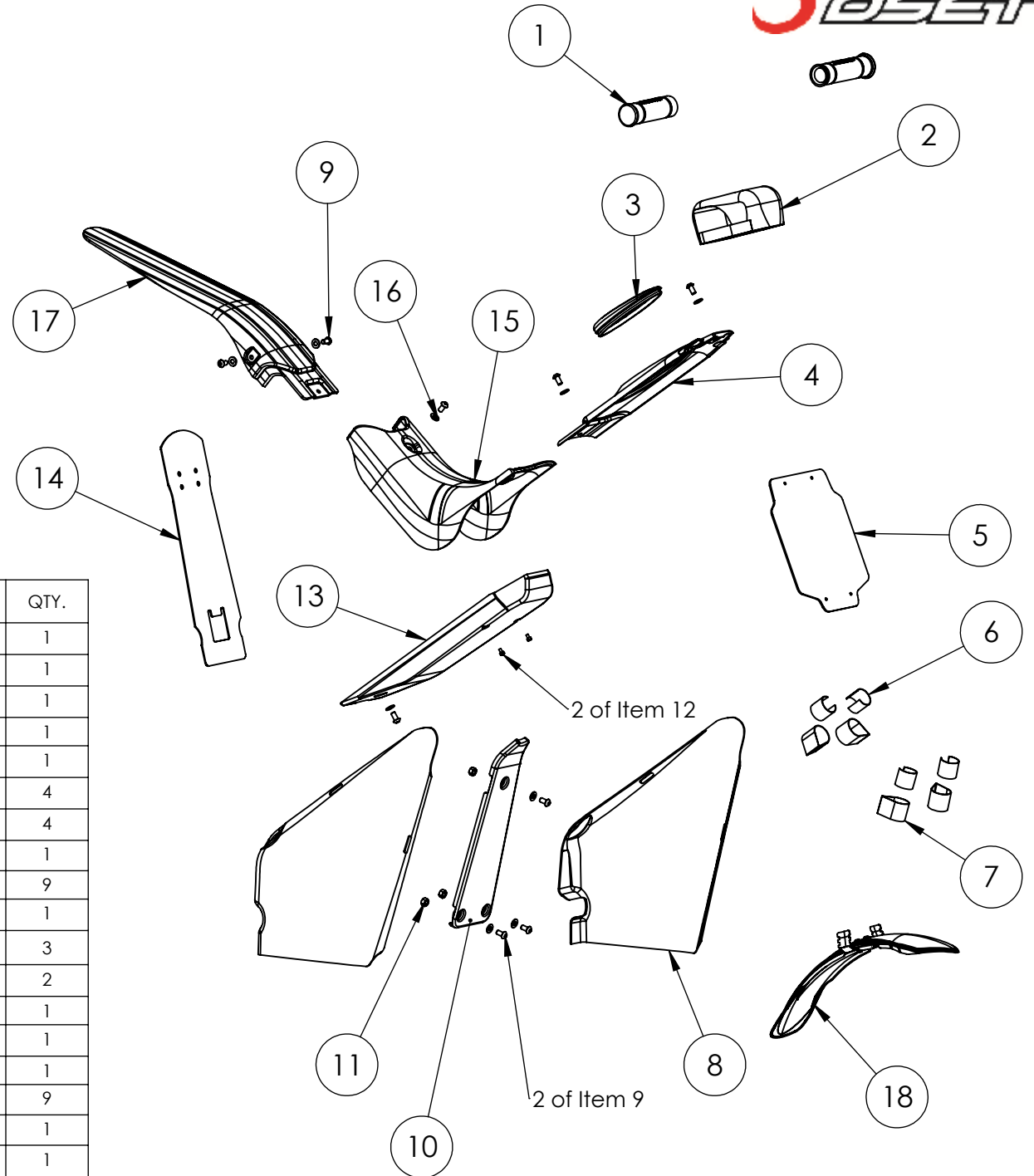
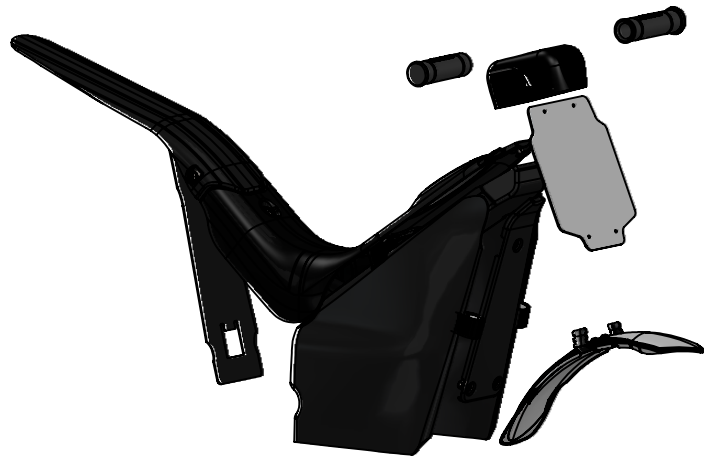


ITEM NO.	PartNo	DESCRIPTION	QTY.
1	PLA002468	Plastic assembly - 16.0R, plastic set	1
2	BRK051853	Hydraulic disc brake assembly - 16.0R	1
3	ELE002464	Full electrical assembly - 16.0R	1
4	CHS002474	Chassis assembly - 16.0R	1
5	DRV061852	Chain & sprocket kit - 16.0R, 9-68t, #219	1
6	STI012189	Sticker set - 16.0R, 2017	1
7	WHE031508	Wheel set - 16", front, qr disc hub, inc. 2.5" tyre	1
8	WHE031510	Wheel set - 16", rear, disc hub, inc. 2.7" tyre	1

Plastic assembly - 16.0R, plastic set

Part Number: PLA002468

Version: 1.0

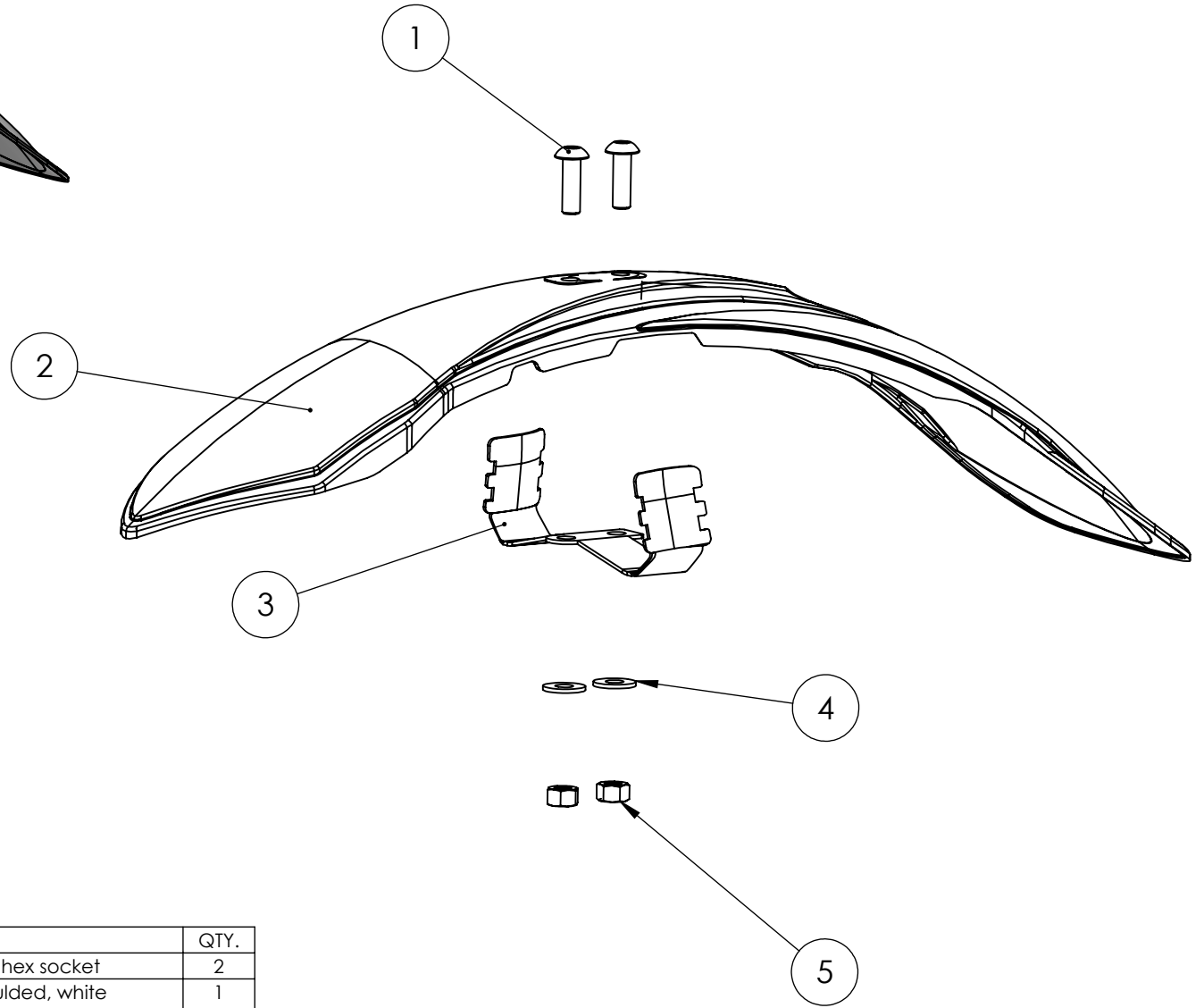
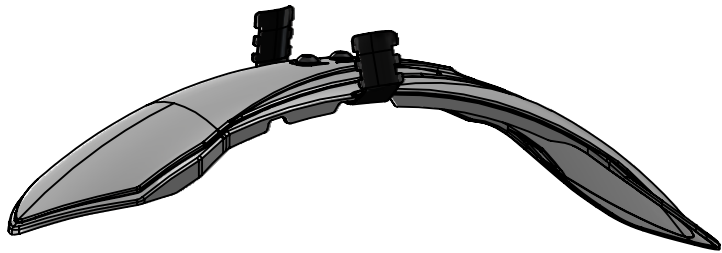


ITEM NO.	PartNo	DESCRIPTION	QTY.
1	PLA112114	Grips - OSET branded, pair, thin, grey	1
2	PLA122208	Chin guard - OSET logo, nylon, black	1
3	PLA071273	Tank bung - oval, rubber, moulded, black	1
4	PLA071594	Tank cover - L-309mm, moulded, black	1
5	PLA031571	Number board - flat, square, white	1
6	FIX072482	Velcro strap - infill panels, self adhesive, black	4
7	FIX071754	Velcro strap - infill panels, black	4
8	PLA051567	Infill panels - pair, H-353mm, moulded, black	1
9	FIX011275	Bolt - M6 x 12mm, button head, hex socket	9
10	PLA061563	Splash guard - front, H-291mm, moulded, black	1
11	FIX021859	Nut - M6, hex	3
12	FIX011858	Bolt - M4 x 6mm, cap head, hex socket	2
13	PLA011743	Controller cover - moulded, black	1
14	PLA061657	Splash guard - rear, black	1
15	PLA041597	Seat unit - central, L-292mm, moulded, black	1
16	FIX031857	Washer - M6 x 13mm, plain	9
17	PLA021595	Mudguard - rear, flat, L-460mm, moulded, black	1
18	PLA021856	Front mudguard kit - 16.0R	1

Front mudguard kit - 16.0R

Part Number: PLA021856

Version: 1.0

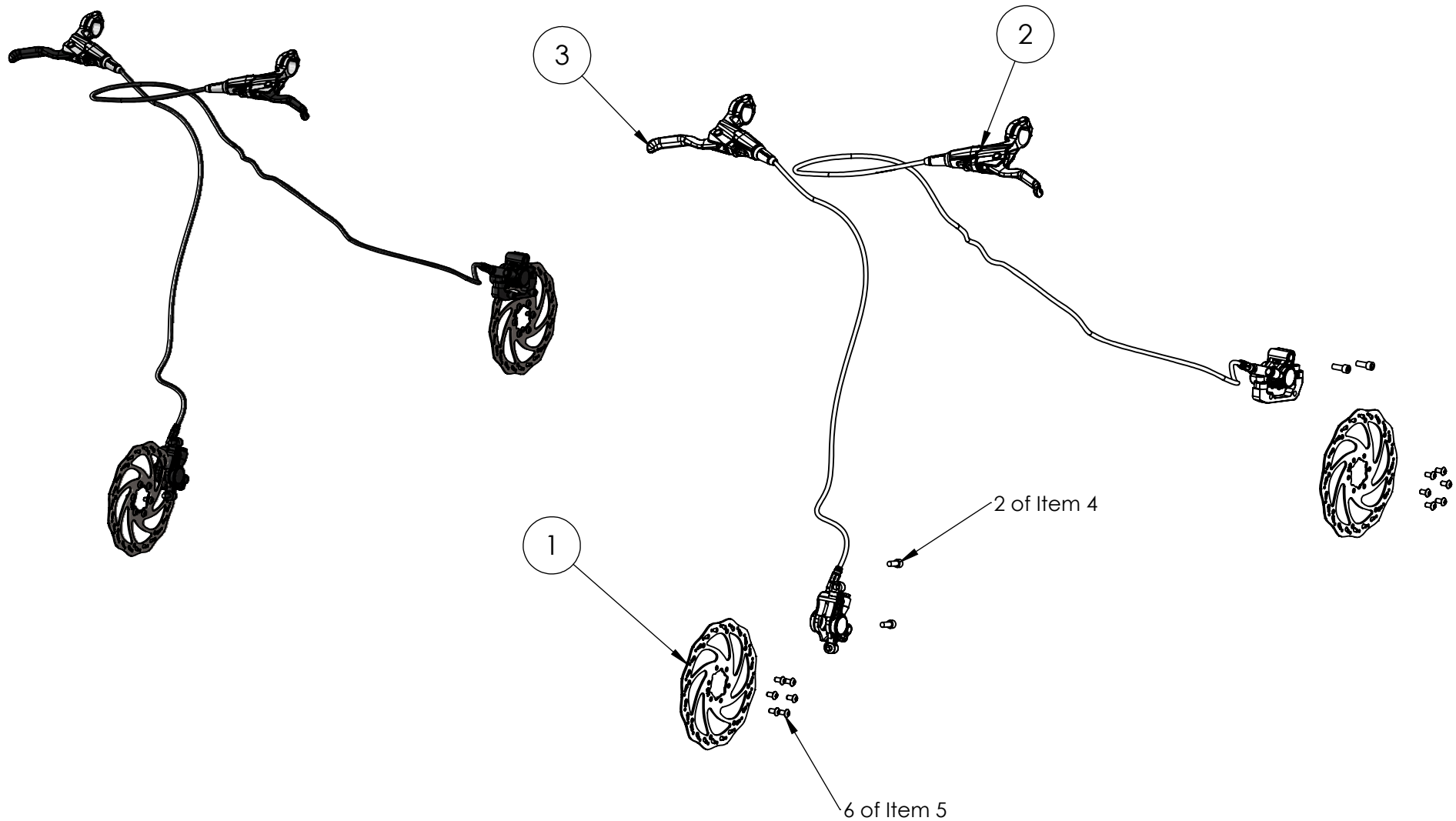


ITEM NO.	PartNo	DESCRIPTION	QTY.
1	FIX011277	Bolt - M5 x 16mm, button head, hex socket	2
2	PLA021556	Mudguard - front, L-354mm, moulded, white	1
3	CHS091557	Bracket - front mudguard, w shape, steel, black	1
4	FIX031411	Washer - M5 x 12mm, plain	2
5	FIX021405	Nut - M5, hex	2

Hydraulic disc brake assembly - 16.0R

Part Number: BRK051853

Version: 2.0



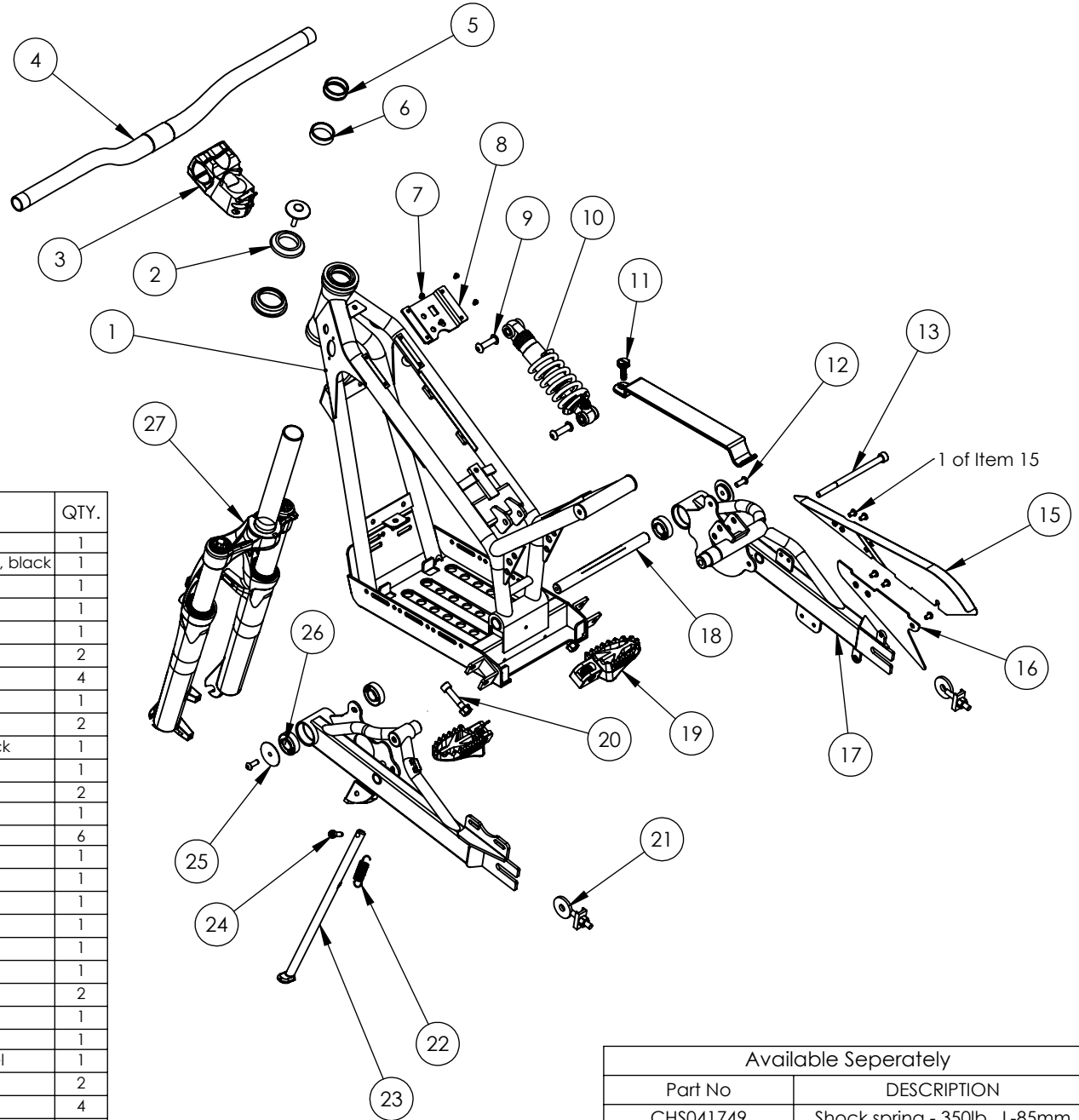
ITEM NO.	PartNo	DESCRIPTION	QTY.
1	BRK031860	Brake disc - Promax, wavy, 160mm, steel, silver	2
2	BRK051665	Brake set - hornet, hyd disc, caliper & lever, rear, 160mm, black & white	1
3	BRK051664	Brake set - hornet, hyd disc, caliper & lever, front, 160mm, black & white	1
4	FIX011847	Bolt - M6 x 16mm, cap head, hex socket	4
5	FIX012111	Bolt - M5 x 10mm, button head, torx socket	12

Available Separately	
Part No	Description
BRK061722	Brake pads - hyd disc brake, pair, 3 prongs

Chassis assembly - 16.0R

Part Number: CHS002474

Version: 3.0



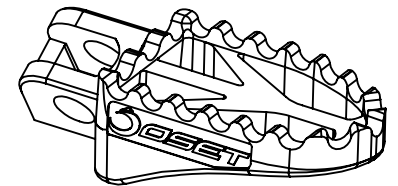
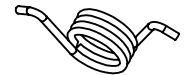
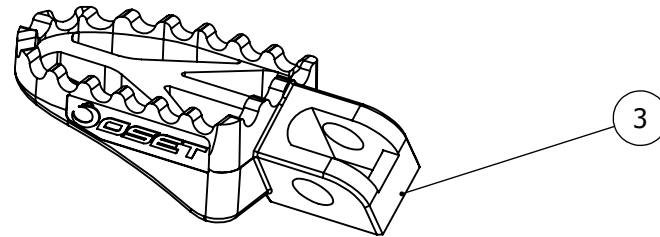
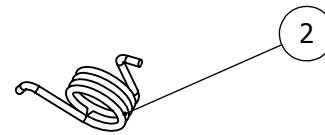
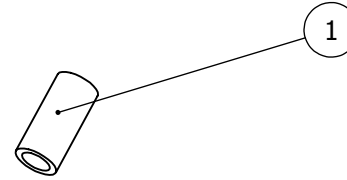
ITEM NO.	PartNo	DESCRIPTION	QTY.
1	CHS071527	Frame - 16.0R & 20.0L front, steel, red	1
2	CHS121265	Headset - sealed pressed bearings inc. internal cups, 1-1-8", steel & alu, black	1
3	CHS061535	Stem - alloy, black	1
4	CHS051551	Handlebar - OSET, alloy, black	1
5	CHS121260	Headset - stem spacer, a-head, 5mm, alu, black	1
6	CHS121259	Headset - stem spacer, a-head, 10mm, alu, black	2
7	FIX011848	Bolt - M4 x 6mm, button head, phillips	4
8	CHS091844	Bracket - dial plate, steel, black	1
9	FIX011392	Bolt - rear shock, M6, od-8, L-29 (assembly)	2
10	CHS031297	Rear shock - DV-22AR, 250lb, L-165mm, rebound adjustment, black	1
11	FIX012004	Bolt - M6 x 22mm with plastic cover	1
12	FIX011830	Bolt - M6 x 16mm, button head, hex socket	2
13	FIX011845	Bolt - M8 x 125mm, cap head, hex socket	1
14	FIX011846	Bolt - M5 x 8mm, button head, hex socket	6
15	PLA082502	Chain guard - top, steel, black	1
16	PLA081463	Chain guard - lower, steel, black	1
17	CHS082501	Swing arm - 16.0, pair, steel, black	1
18	CHS081741	Swing arm axle - 15mm, steel, silver	1
19	CHS012193	Footpeg kit - springs, bushes and cast footpegs, black	1
20	FIX011892	Bolt kit - M8 x 45mm, cap head, washer & locknut (2 sets)	1
21	CHS111298	Chain adjuster - 1 piece, 9mm, steel, black	2
22	CHS101314	Side stand - spring, steel, silver	1
23	CHS101577	Side stand - steel, silver	1
24	FIX011370	Bolt - M6 x 23mm, 12mm plain shank, cap head, hex socket, steel	1
25	CHS081716	Swing arm cover - 1 bearing cover, steel, black	2
26	FIX051834	Bearing - 15x32x9mm, 6002rs, rubber shielded	4
27	CHS021587	Forks - air & spring, rebound, RST F1, L-410mm, white	1
28	CHS091656	Bracket - battery strap, 36V, steel, red PU coating	1

Available Separately	
Part No	DESCRIPTION
CHS041749	Shock spring - 350lb, L-85mm
CHS041750	Shock spring - 450lb, L-85mm
CHS041751	Shock spring - 550lb, L-85mm

Footpeg kit - springs, bushes and cast footpegs, black



Part Number: CHS012193 | Version: 1.0

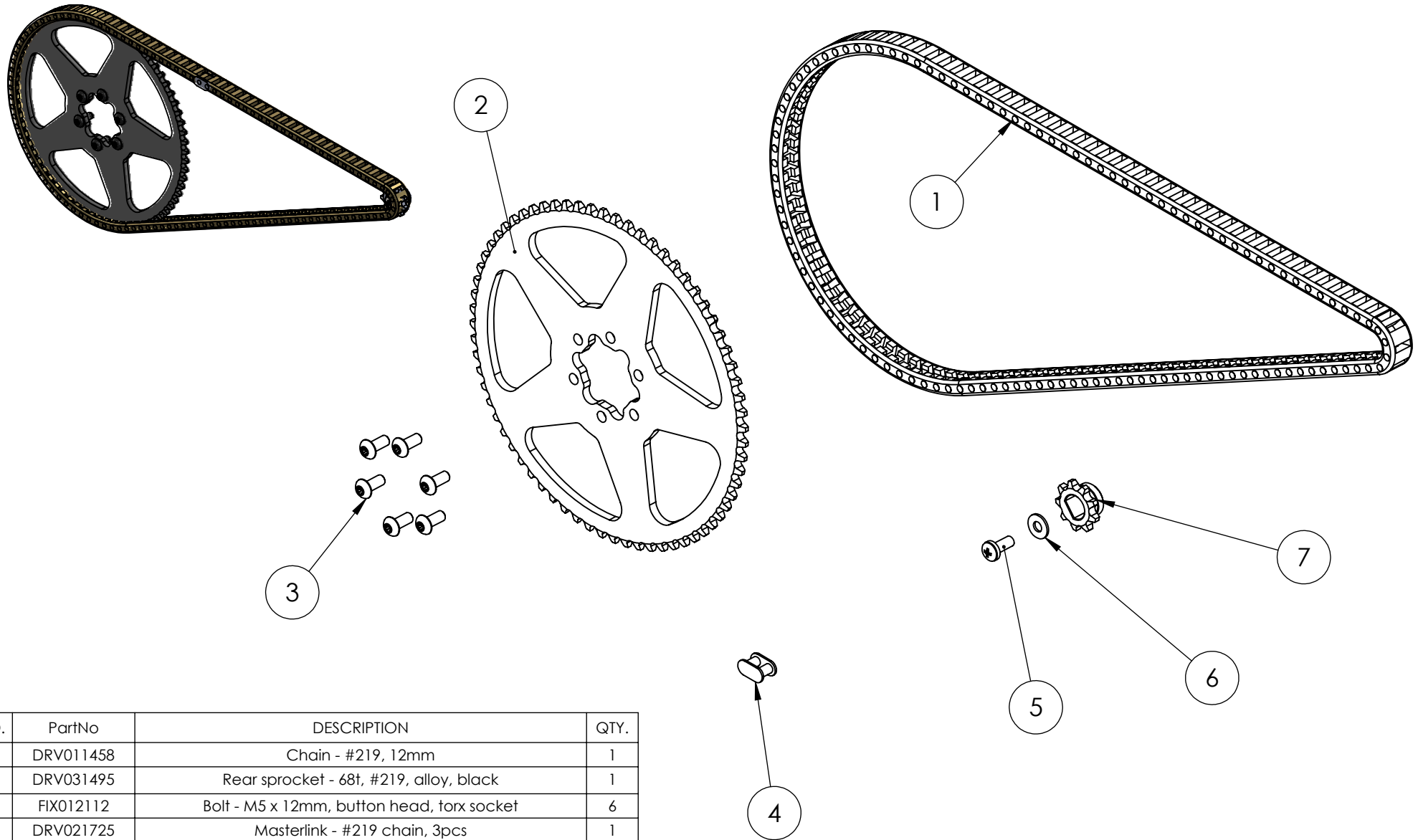


ITEM NO.	PartNo	DESCRIPTION	QTY
1	CHS011755	Footpeg bush - 1 piece, steel, black	2
2	CHS011433	Footpeg spring - 1 piece, steel, silver	2
3	CHS011756	Footpegs - pair, cast alu, black	1

Chain & sprocket kit - 16.0R, 9-68t, #219

Part Number: DRV061852

Version: 2.0



ITEM NO.	PartNo	DESCRIPTION	QTY.
1	DRV011458	Chain - #219, 12mm	1
2	DRV031495	Rear sprocket - 68t, #219, alloy, black	1
3	FIX012112	Bolt - M5 x 12mm, button head, torx socket	6
4	DRV021725	Masterlink - #219 chain, 3pcs	1
5	FIX011831	Bolt - M5 x 12mm, round head, phillips	1
6	FIX031411	Washer - M5 x 12mm, plain	1
7	DRV041371	Front sprocket - 9t, #219, 12mm d-shaft, steel	1

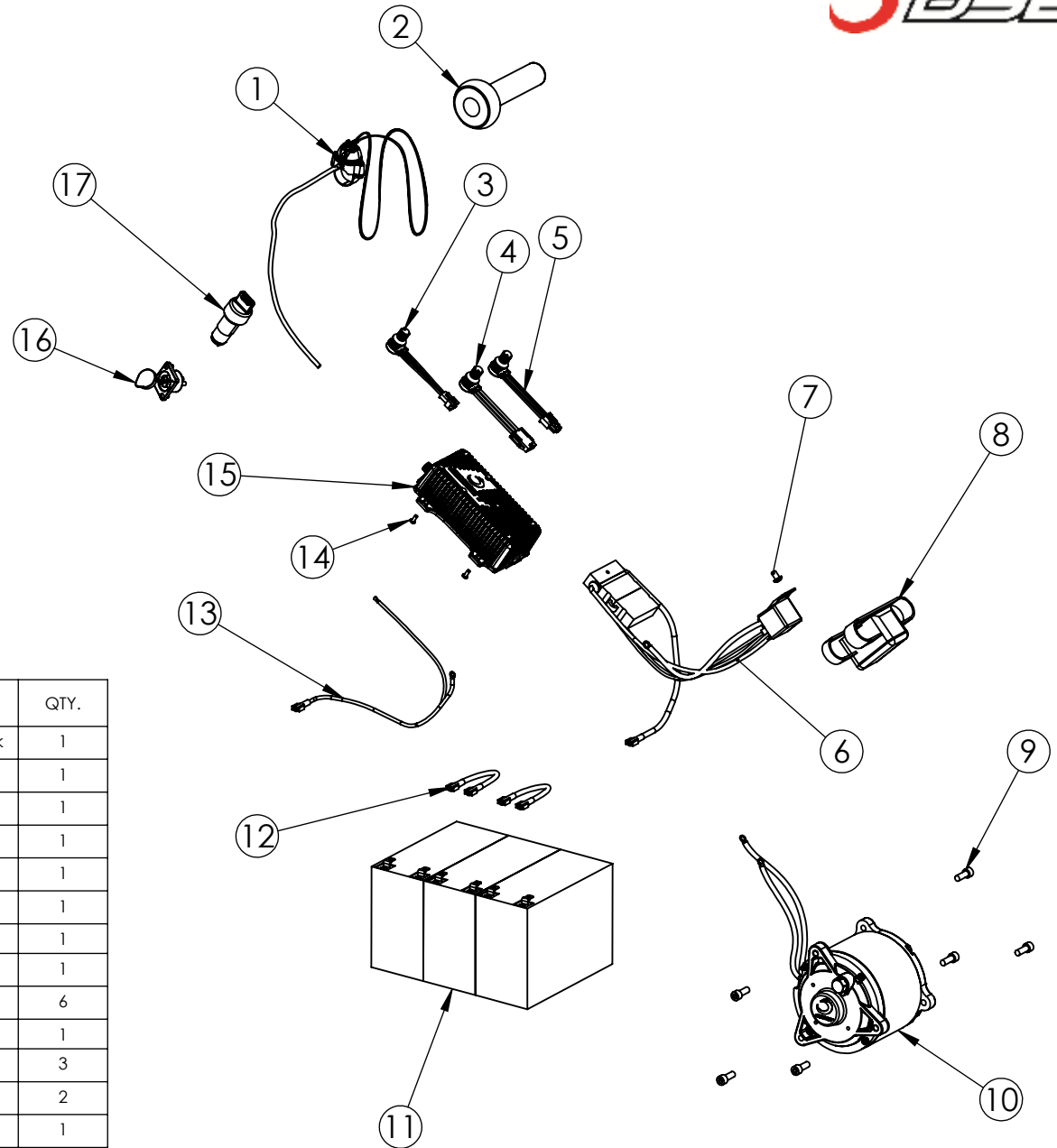
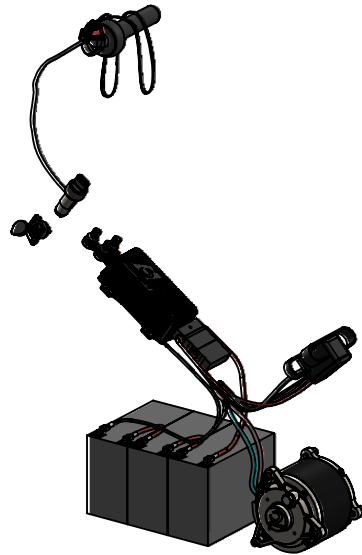
Date: 05/07/2016 | Document Ref: 1852 | Issue No: 2 | © 2016 OSET Bikes

Available Separately	
Part No	DESCRIPTION
DRV041493	Front sprocket - 10t, #219, 12mm d-shaft, steel

Full electrical assembly - 16.0R

Part Number: ELE002464

Version: 1.0



ITEM NO.	PartNo	DESCRIPTION	QTY.
1	ELE061311	Handlebar switch - OSET magnetic kill switch, electric vehicles, black	1
2	ELE111599	Throttle - 36V, OSET grips, mk.3, red & grey	1
3	ELE081368	Potentiometer - speed dial, 20k pot & plug (inc cap), black	1
4	ELE081492	Potentiometer - power dial, 20k pot & plug (inc cap), black	1
5	ELE081323	Potentiometer - response dial, 20k pot & plug (inc cap), black	1
6	ELE101522	Wiring harness - positive, 36V, relay & fuse	1
7	FIX011846	Bolt - M5 x 8mm, button head, hex socket	1
8	ELE091502	Relay bag - 36V, nylon, black	1
9	FIX011847	Bolt - M6 x 16mm, cap head, hex socket	6
10	MTR011486	Brushed motor - OSET 36V, 800W	1
11	BAT011250	Battery - lead acid, 12V 10Ah	3
12	ELE101390	Wiring harness - battery link wire, short, red	2
13	ELE101520	Wiring harness - negative, 16.0 E&R, 20.0L	1
14	FIX011295	Bolt - M3 x 8mm, button head, hex socket	4
15	ELE041820	Controller - 36V, 60A, 3 dial, 2016-17	1
16	ELE011272	Charge port - female, 3pin, bayonet fitting, black	1
17	ELE071283	Key switch - water proof with black keys	1

Available Separately	
PartNo	DESCRIPTION
ELE091735	Relay - 24V, 80a
MTR011726	Brush set for SM brush motor, 300mm

Date: 05/07/2016

Document Ref: 2464

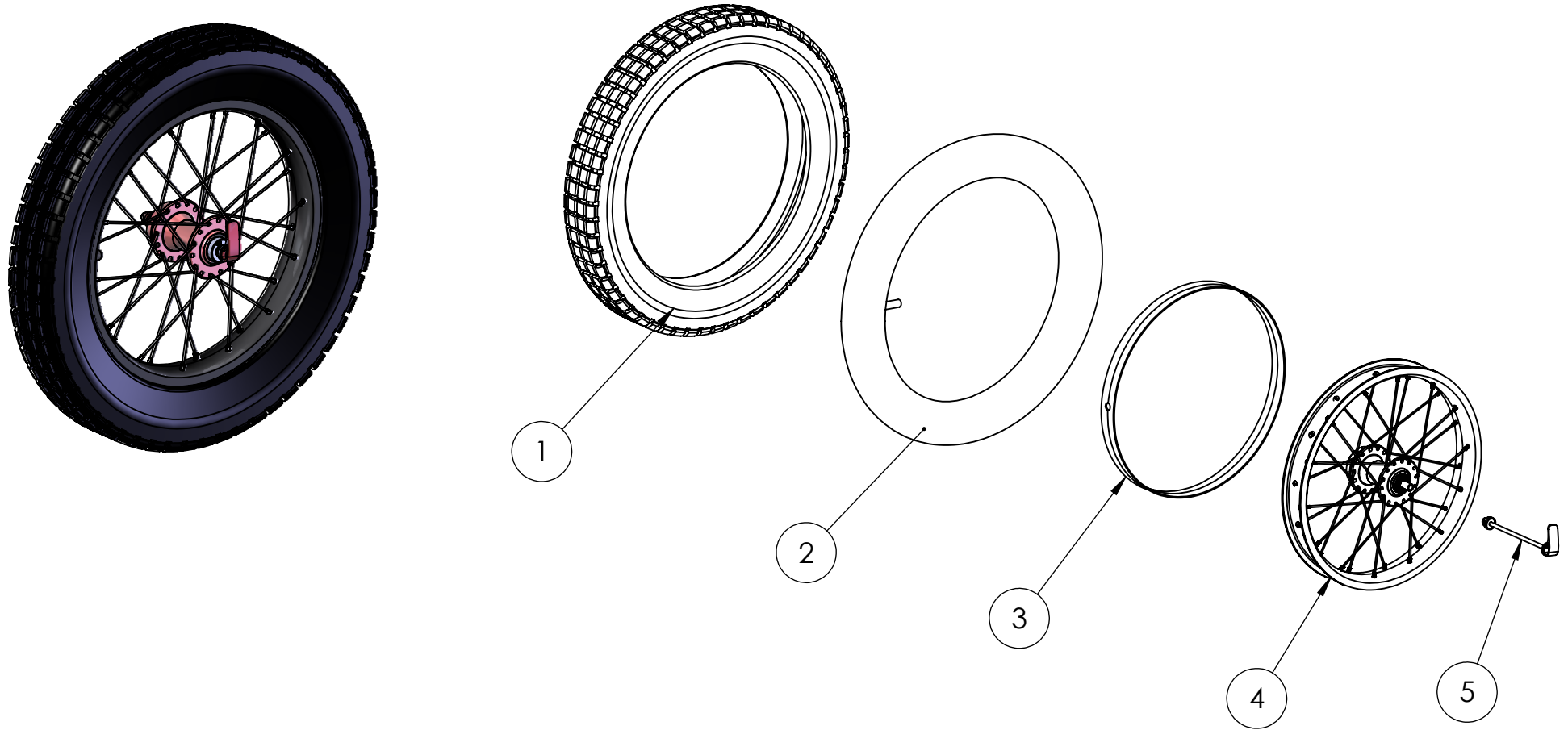
Issue No: 1

© 2016 OSET Bikes

Wheel set - 16", front, qr disc hub, inc. 2.5" tyre

Part Number: WHE031508

Version: 1.0



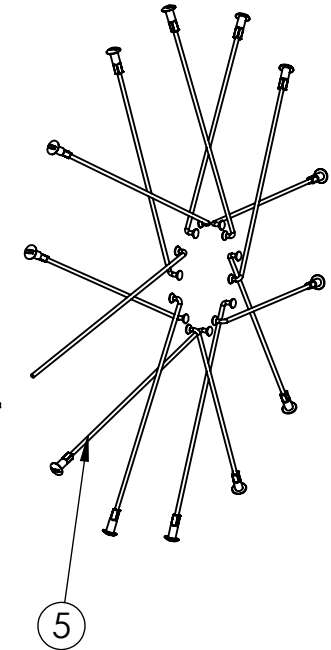
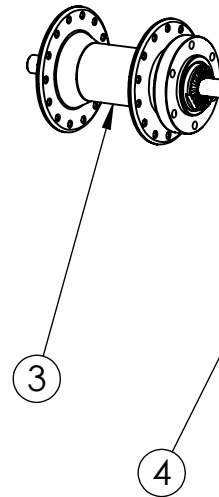
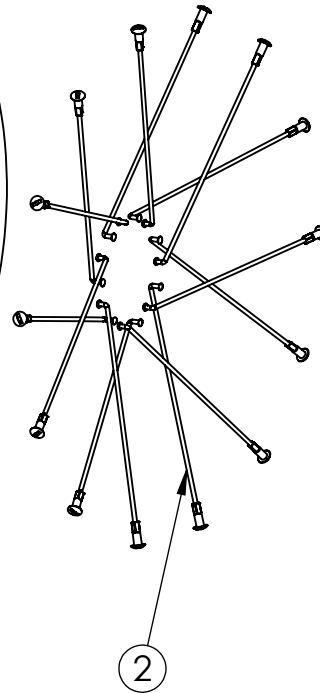
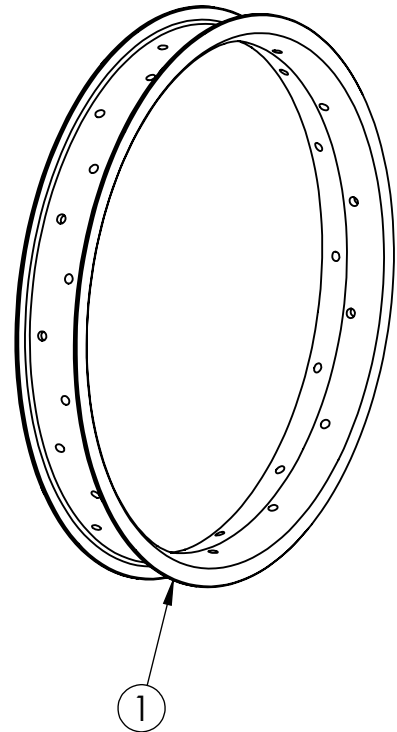
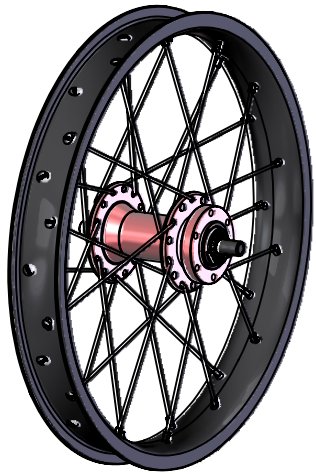
ITEM NO.	PartNo	DESCRIPTION	QTY.
1	TYR011606	Tyre - 16" x 2.5" Kenda OSET Nevis	1
2	TYR021615	Tube - 16" x 3.0"	1
3	TYR031617	Rim tape - 16" x 25mm	1
4	WHE041854	Wheel - 16", front, quick release disc hub, 28h	1
5	WHE011747	Axle - quick release lever & spindle, red	1

Date: 05/07/2016 | Document Ref: 1508 | Issue No: 2 | © 2016 OSET Bikes

Available Separately	
Part No	Description
STI032323	Rim stickers - 16.0R, 2017, 2 wheels

Wheel - 16", front, quick release disc hub, 28h

Part Number: WHE041854 | Version: 1.0



ITEM NO.	PartNo	DESCRIPTION	QTY.
1	WHE051582	Rim - 16" x 2.125", 28h, black	1
2	WHE082409	Wheel spoke - 14G x 128mm, black	14
3	WHE021546	Hub - front, disc, qr, 36h, l-100mm, alu, red	1
4	WHE082448	Wheel spoke nipple - 14G x 14mm, silver	28
5	WHE082408	Wheel spoke - 14G x 125mm, black	14

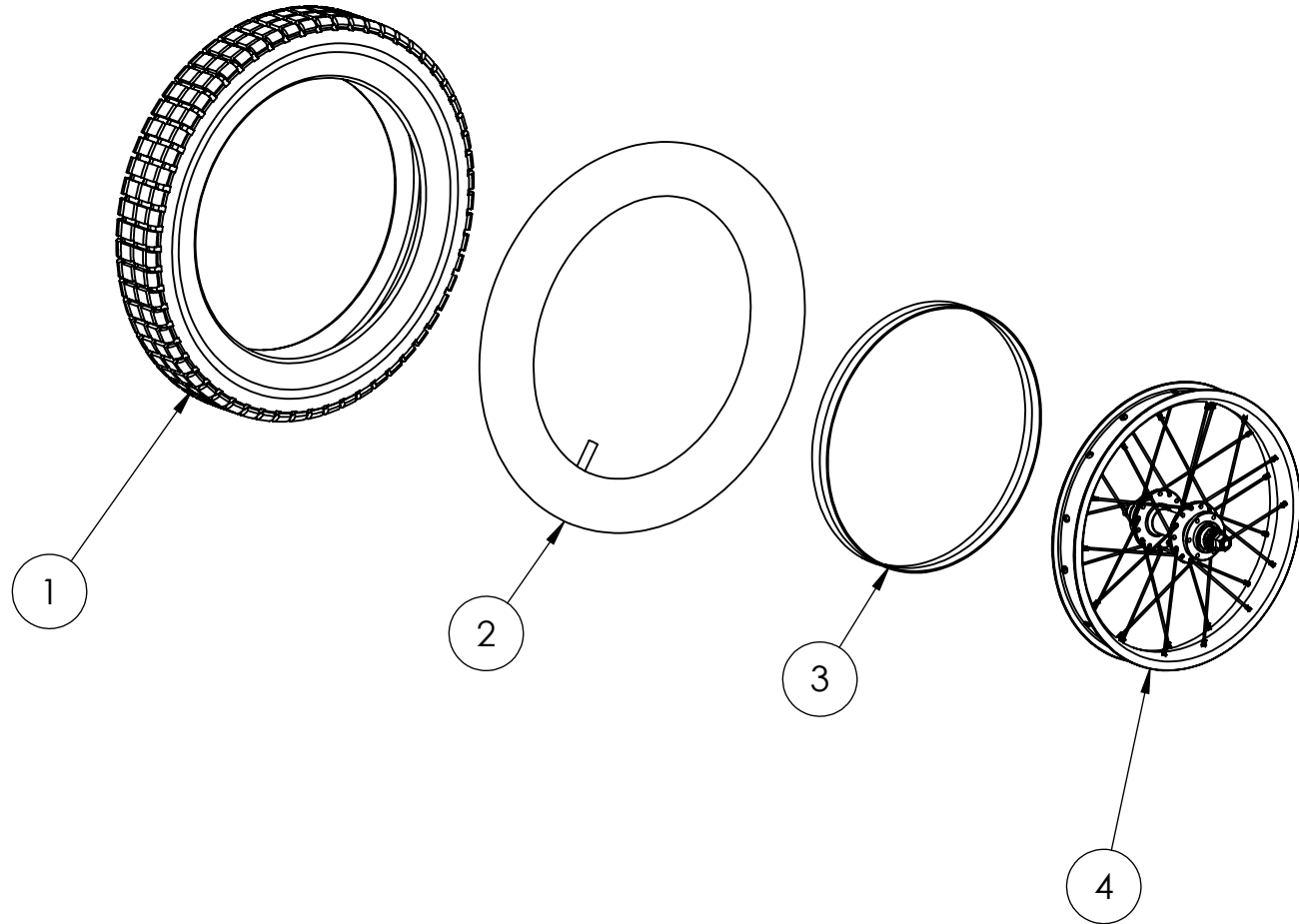
Date: 05/07/2016 | Document Ref: 1854 | Issue No: 1 | © 2016 OSET Bikes

Available Separately	
Part No	Description
FIX051738	Bearing - 10x26x8mm, 6002rs, rubber shielded

Wheel set - 16", rear, disc hub, inc. 2.7" tyre

Part Number: WHE031510

Version: 1.0



ITEM NO.	PartNo	DESCRIPTION	QTY.
1	TYR011607	Tyre - 16" x 2.7" Kenda OSET Nevis	1
2	TYR021615	Tube - 16" x 3.0"	1
3	TYR031617	Rim tape - 16" x 25mm	1
4	WHE041855	Wheel - 16", rear, disc hub, 28h	1

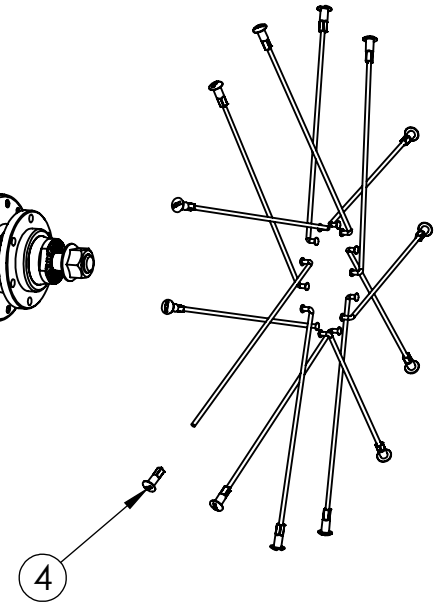
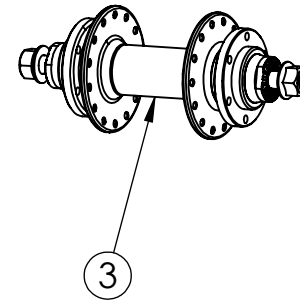
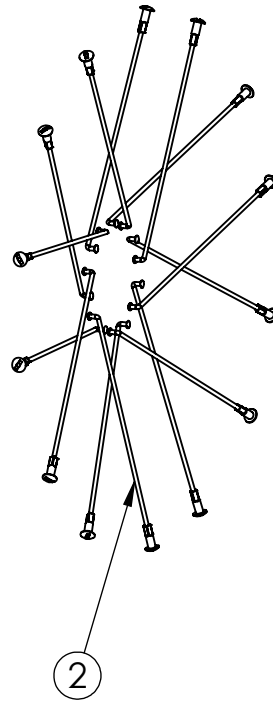
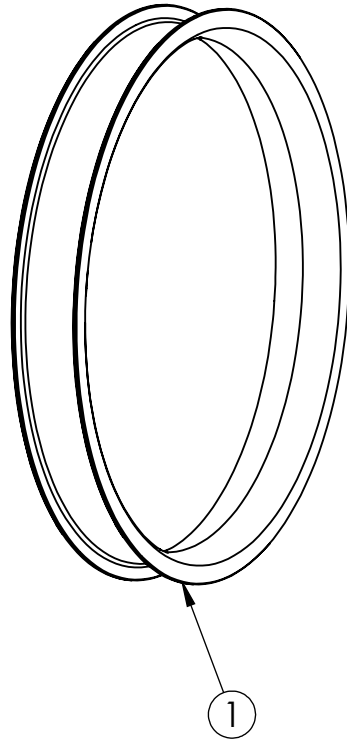
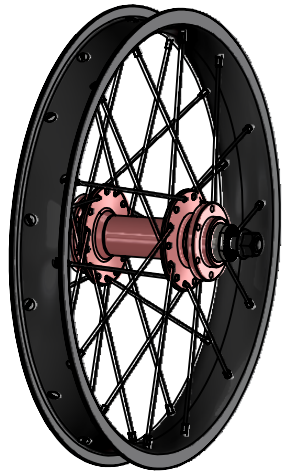
Date: 05/07/2016 Document Ref: 1510 Issue No: 2 © 2016 OSET Bikes

Available Separately	
Part No	Description
STI032323	Rim stickers - 16.0R, 2017, 2 wheels

Wheel - 16", rear, disc hub, 28h

Part Number: WHE041855

Version: 1.0



ITEM NO.	PartNo	DESCRIPTION	QTY.
1	WHE051582	Rim - 16" x 2.125", 28h, black	1
2	WHE082409	Wheel spoke - 14G x 128mm, black	28
3	WHE021487	Hub - rear, disc, 28h, 9mm axle, L-129mm, alu, red	1
4	WHE082448	Wheel spoke nipple - 14G x 14mm, silver	28

Date: 30/06/2016 | Document Ref: 1855 | Issue No: 1 | © 2016 OSET Bikes

Available Separately	
Part No	Description
FIX051738	Bearing - 10x26x8mm, 6002rs, rubber shielded